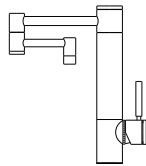


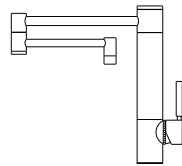
# CONTEMPORARY KITCHEN AND PREP FAUCET INSTALLATION INSTRUCTIONS

**Kitchen Model #s:**  
3600-12  
3600-18  
3800  
3825

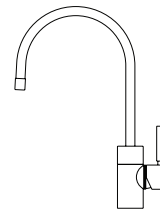
**Prep Model #s:**  
3500  
3900  
3925



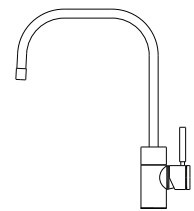
3600-12



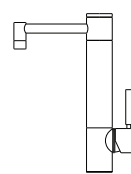
3600-18



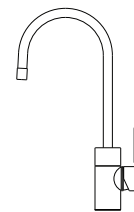
3800



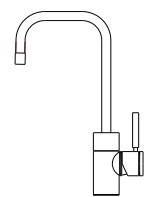
3825



3500



3900



3925

# BEFORE YOU BEGIN YOUR INSTALLATION:

1



Turn off water supply.

2



Observe all local plumbing codes.

3



Inspect plumbing for signs of damage. Replace as necessary.

4



**DO NOT** use petroleum based products on this faucet.

## REQUIRED TOOLS:



Adjustable Wrench



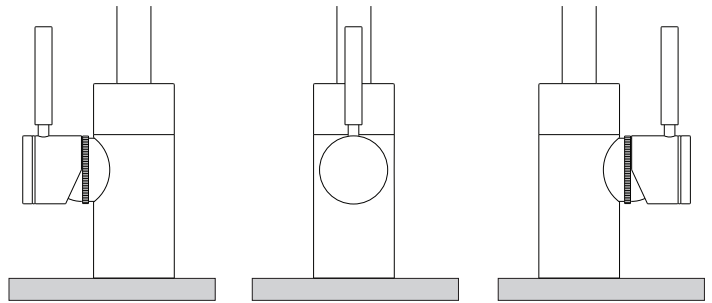
Phillips Screwdriver



Channel Locks

## HANDLE POSITION

Waterstone faucets are designed to be installed in 3 different faucet positions. Choose to have the handle on left, front or right. Your faucet is factory configured for the most common positions - a front and right side installation. To reverse this and have the handle positioned on the left, connect the hose for cold water to the hot supply and the hose for hot water to the cold supply. This will maintain the relationship of pulling the handle for hot water or pushing for cold water.



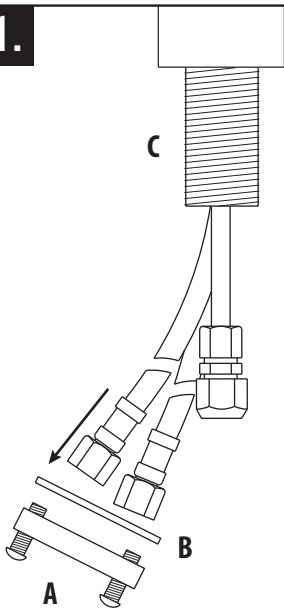
HANDLE ON LEFT

HANDLE IN FRONT

HANDLE ON RIGHT

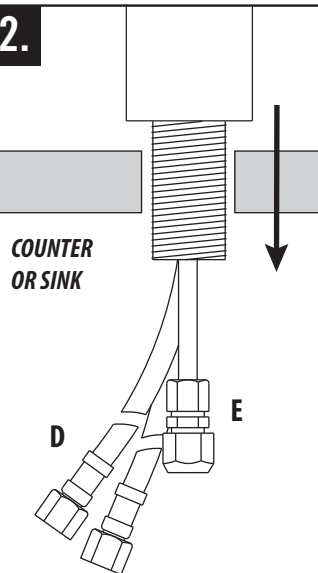
## FAUCET INSTALLATION

1.



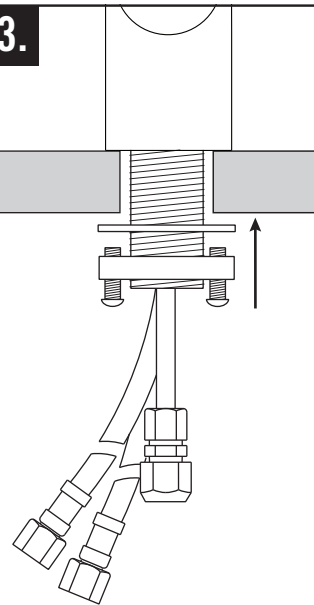
Remove clamp nut (A) and washer (B) from threaded shroud (C).

2.



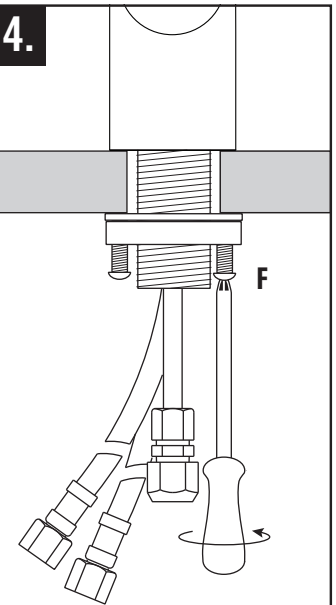
Fit flexible hoses (D) and rigid sidespray tube (E) through hole on counter or sink. (No plumbers putty is required. O-ring seals base).

3.



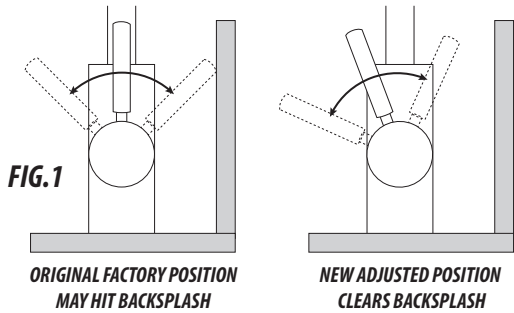
Slide washer and thread the clamp nut onto threaded shroud. Tighten nut snug to underside of sink or counter.

4.



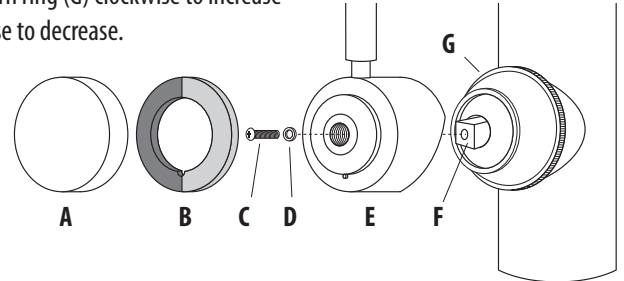
Turn faucet to the desired handle position. Securely tighten clamp screws (F).

# HOW TO ADJUST HANDLE POSITION AND HANDLE TENSION



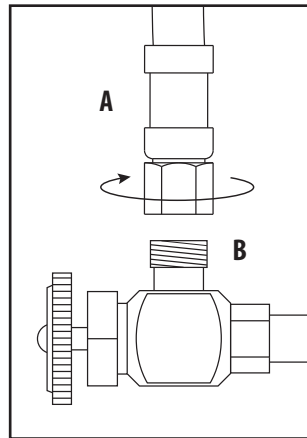
On some kitchen countertops, the handle may hit the backsplash when the faucet handle is positioned to the left or right (Fig. 1). Waterstone gives you the option of adjusting the handle 22.5 degrees to avoid hitting backsplash.

Unscrew and remove metal cap (A) and Hot and Cold Indicator Ring (B). Unscrew and remove holding screw (C) and washer (D). Hold handle (E) in a vertical position. Wiggle and pull straight off faucet. Rotate handle 22 degrees away from backsplash then slide handle back onto valve stem (F). Insert holding screw with washer and tighten. Slide Hot and Cold Indicator Ring onto handle and thread metal cap back into place. To adjust handle tension, turn ring (G) clockwise to increase or counterclockwise to decrease.



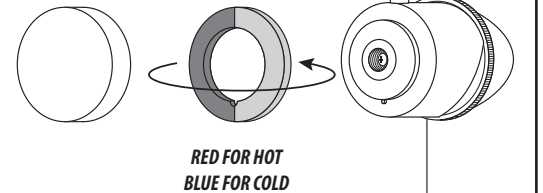
## CONNECTING SUPPLY HOSES

Before connecting supply hoses, flush supply stops to clear any debris. Place a bucket underneath stops and run water for 5 to 10 seconds. Turn water off. Carefully position hot and cold supplies so they will not interfere with other hoses. Connect supply hoses (A) to supply stops (B). **DO NOT** use teflon tape or plumbers putty. Turn water back on and check for leaks.



## OPTIONAL HOT COLD INDICATOR RING

To reverse, or remove Hot and Cold Indicator Ring, unscrew the metal cap, remove ring and flip. Slide ring back onto handle and screw metal cap back on.



## CONNECTING SIDE SPRAY (OPTIONAL)

**1.**

**COUNTER OR SINK**

Insert side spray base (A) into hole of your sink or counter. (*No plumbers putty is required*). Slide brass spacer (B) onto shroud. Screw on attaching nut (C) and securely tighten.

**2.**

Slide sidespray hose (D) through side spray base.

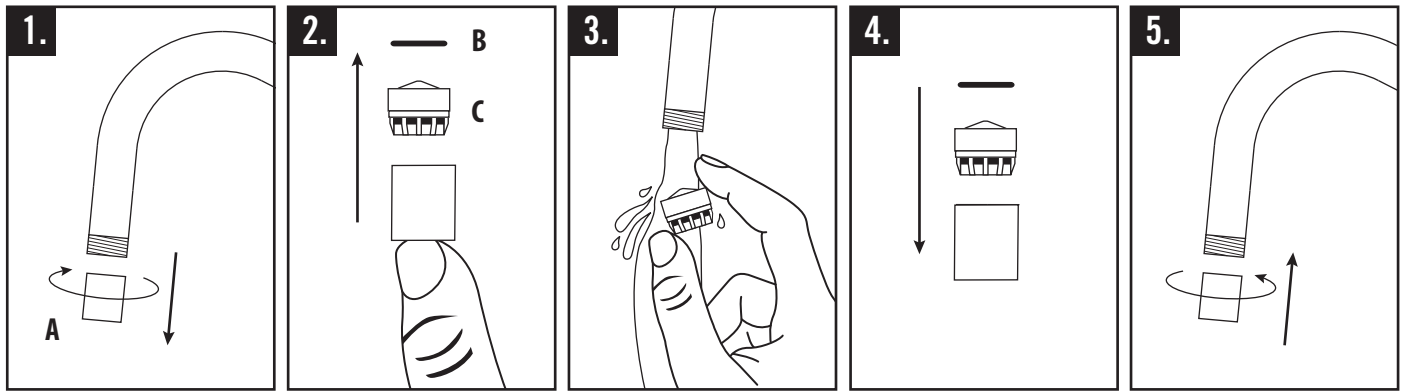
**3.**

Turn off water supply. On the faucet, remove cap (E) from end of sidespray tube (F).

**4.**

Connect and tighten sidespray hose to sidespray tube.

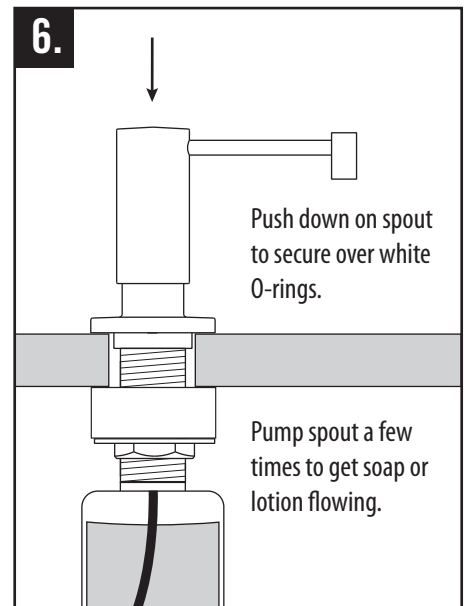
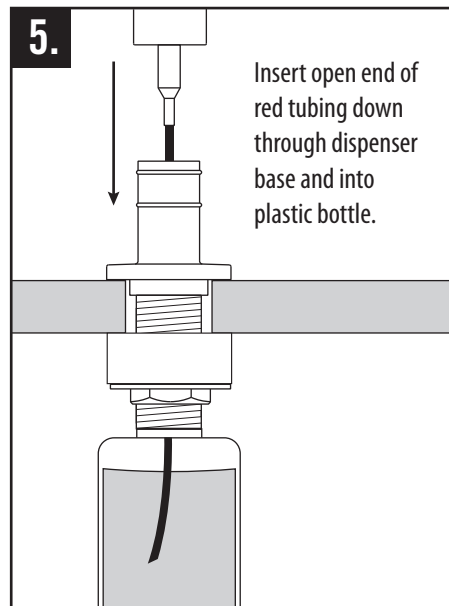
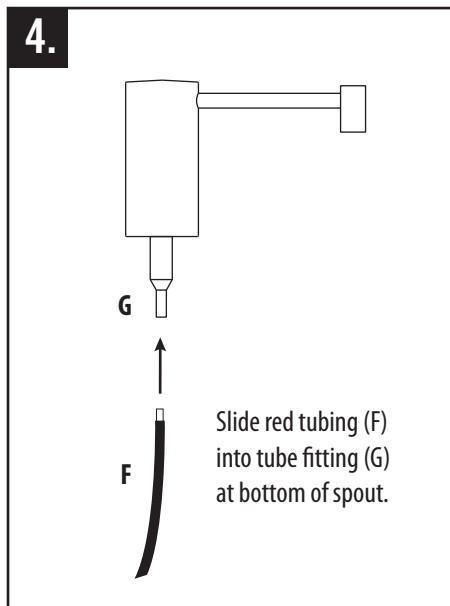
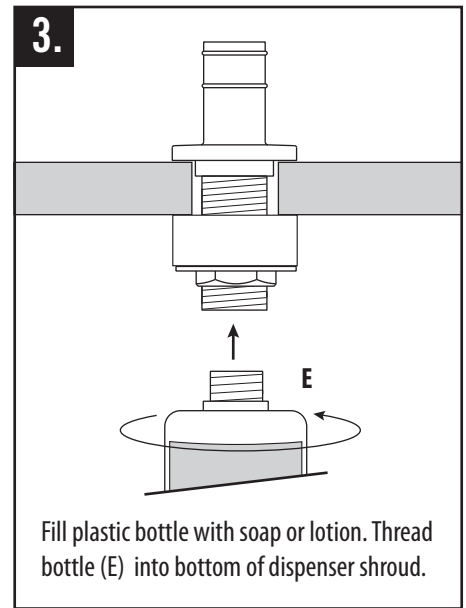
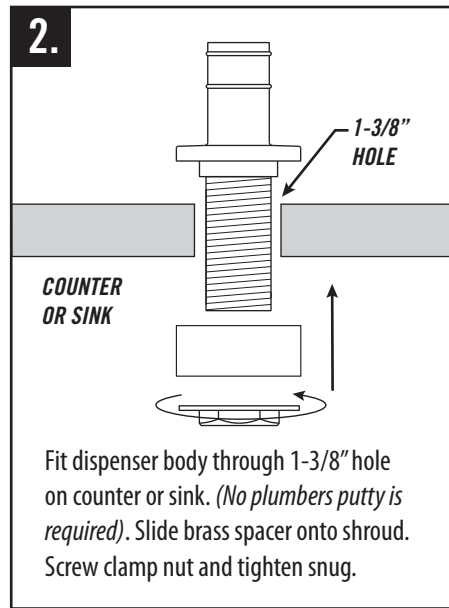
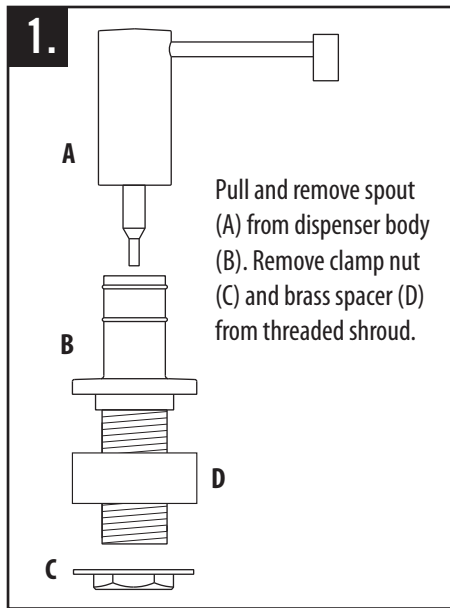
## CLEANING AERATOR AND DEBRIS SCREEN



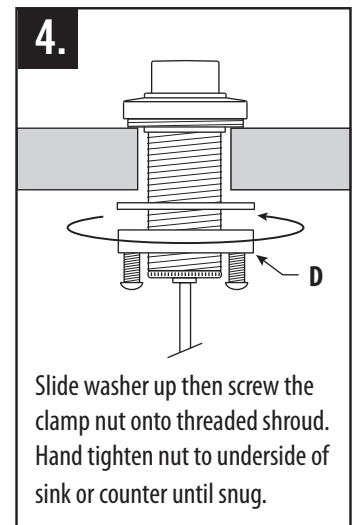
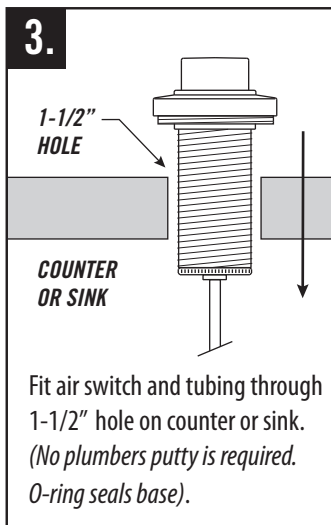
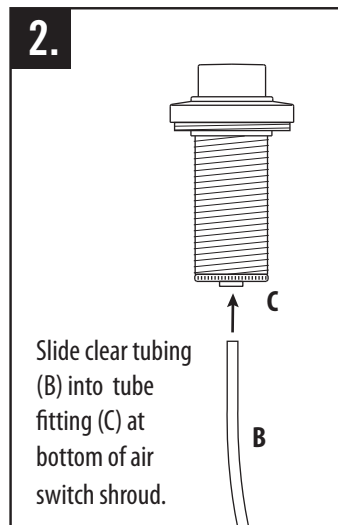
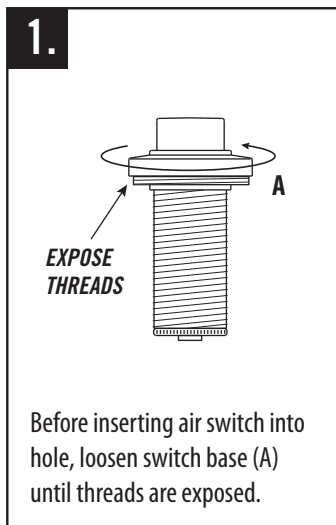
Depending on quality of your household water, the aerator and debris screen may become clogged. We recommend cleaning one week after installation, then a minimum of once of year thereafter. To remove the debris, follow the steps below.

1. Gently unscrew and remove spout tip (A) by hand.
2. Remove O-ring (B). To remove aerator (C), push with finger from bottom.
3. Thoroughly rinse aerator with water until all debris is removed.
4. Place aerator, then O-ring back into spout tip.
5. Gently screw spout tip, by hand, snugly back onto spout.

## INSTALL SOAP/LOTION DISPENSER (OPTIONAL)



## INSTALL AIR SWITCH (OPTIONAL)



**5.**

Tighten clamp screws (E) securely with screwdriver.

**6.**

Hand tighten switch base back down to cover threads.

**7.**

Slide other end of tubing (F) into tube fitting at bottom of control box (G).

**8.**

GARBAGE DISPOSAL

Plug control box into undersink electrical outlet. Plug garbage disposal into either dual outlet.

## INSTALL SINGLE PORT AIR GAP (OPTIONAL)

**1.**

Twist and pull air gap cover (A) off of upper cap nut (B). Unscrew and remove cap nut from piping (C).

**2.**

Unscrew and remove top clamp nut (D) from both threads on piping. Slide gasket (E) off piping and remove.

**3.**

From underneath countertop, fit air gap piping upward through 1-1/2" hole.

**4.**

Slide gasket down and screw top clamp nut back onto piping. Adjust the two clamp nuts to fit countertop thickness. (No plumbers putty is required).

**5.**

Screw cap nut back onto top of piping until snug. Slide air gap over cap nut and top clamp nut. Be sure to have overflow holes (F) facing sink.

**6.**

Slide small intake hose (G) over small connector. Slide larger drainage hose (H) over large connector. Tighten hose clamps. Turn on water supply and check for leaks.

# INSTALL DUAL PORT AIR GAP (OPTIONAL)

**1.**

Pull air gap (A) off of upper cap nut (B). Unscrew and remove cap nut from piping (C).

**2.**

Unscrew and remove top clamp nut (D) from both threadings on piping. Slide gasket (E) off piping and remove.

**3.**

From underneath counter top, fit air gap piping upward through 1-1/2" hole.

**4.**

Slide gasket down and screw top clamp nut back onto piping. Adjust the two clamp nuts to fit countertop thickness. *(No plumbers putty is required).*

**5.**

Screw cap nut back onto top of piping until snug. Slide air gap over cap nut and top clamp nut. Be sure to have overflow holes (F) facing sink.

**6.**

Slide small intake hose (G) over small connector. Slide larger drainage hose (H) over large connector. Tighten hose clamps.

Third intake hole (J) has 3 options. Use hose connector (K) for additional dishwasher, use filtration hose connector (L) for reverse osmosis unit, or use solid cap (M) to plug third hole.

