

Location:



Tub Spout 067 Specification Submittal



Model Numbers

- 067 Tub Spout

Feature Highlights

- 7 inch tub spout
- 1/2 inch IPS connection, Zinc
- Polished chrome finish (standard)

Finish Options

Append appropriate -suffix to model number.

- BBZ Brushed bronze finish
- MB Matte black finish
- STN Satin nickel finish
- Polished chrome finish (standard)

Standards / Certifications

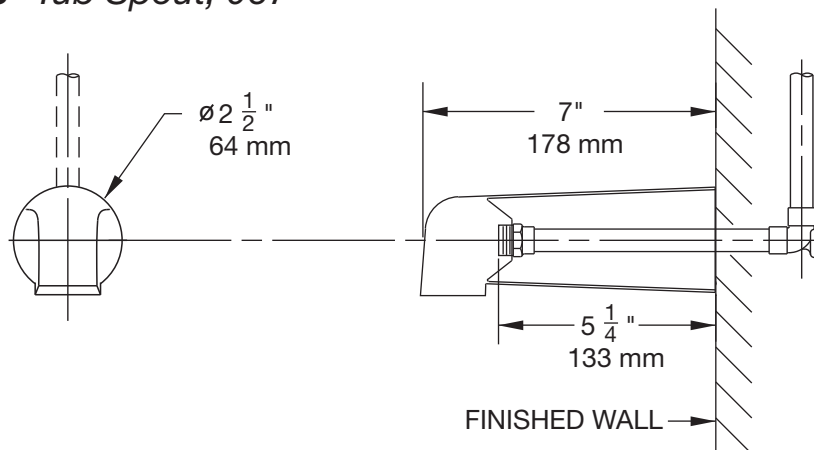
- ASME A112.18.1/CSA B125.1



Warranty

- Limited Lifetime - to the original end purchaser in residential / consumer installations.
- 5 years - for commercial installations

Dimensions Tub Spout, 067



Note: Dimensions subject to change without notice.

Symmons Industries, Inc. ■ 31 Brooks Drive ■ Braintree, MA 02184
Phone: (800) 796-6667 ■ Fax: (800) 961-9621
Website: symmons.com ■ Email: gethelp@symmons.com

Copyright © 2017 Symmons Industries, Inc. ■ ZV-1778 REV A ■ 091217

