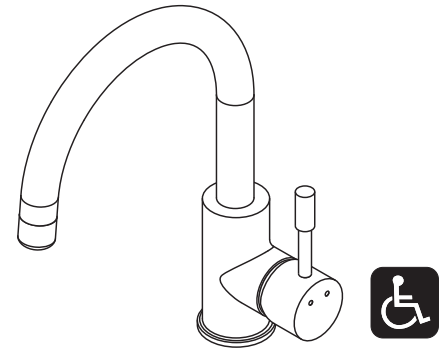





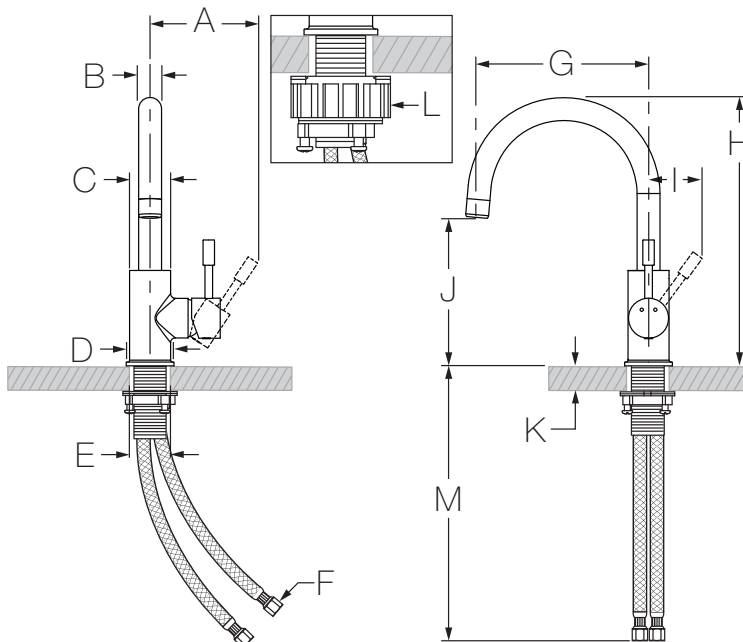
Location:



SPB-3510-1.5
Single Handle Bar Sink Faucet
Specification Submittal

<p>Model Numbers</p>	<p>Feature Highlights</p>
<p><input type="checkbox"/> SPB-3510-1.5 <i>Single Handle Bar Sink Faucet</i></p>	<ul style="list-style-type: none"> • Single hole mount configuration • 3 hole mount configuration for optional 8 inch deck plate • Quarter turn ceramic cartridge • Braided hose water supply connections • Standard swivel spout with option of rigid spout • Standard 1.5 gpm (5.7 L/min) flow rate • Faucet shall be metal construction, plated in standard polished chrome finish
<p>Options/Modifications</p> <p><input type="checkbox"/> -0.5 <i>0.5 gpm (1.9 L/min) aerator</i></p> <p><input type="checkbox"/> -1.0 <i>1.0 gpm (3.8 L/min) aerator</i></p> <p><input type="checkbox"/> Delete Suffix 1.5 <i>2.2 gpm (8.3 L/min) aerator</i></p> <p><input type="checkbox"/> -DP <i>8 inch deck plate</i></p> <p><input type="checkbox"/> -NA <i>1.5 gpm (5.7 L/min) laminar flow</i></p> <p><input type="checkbox"/> -STN <i>Satin Nickel finish</i></p> <p>Note: Append appropriate -suffix to model number.</p>	<p>Warranty</p> <p>Limited Lifetime - to the original end purchaser in consumer/residential installations. 5 Years - for industrial/commercial installations. Refer to www.symmons.com/warranty for complete warranty information.</p>
<p>Compliance</p> <p>-ASME A112.18.1/CSA B125.1 -NSF/ANSI 61.9; NSF/ANSI 372</p> 	

Dimensions



Measurements	
A	3-13/16", 97 mm
B	Ø 15/16", 24 mm
C	Ø 1-11/16", 43 mm
D	Ø 1-15/16", 49 mm
E	Hole Size Min. Ø 1-3/8", 35 mm Max. Ø 1-1/2", 38 mm
F	3/8" compression
G	7-1/16", 179 mm
H	11-1/16", 281 mm
I	Distance to Backsplash Ref. Min. 3-7/8", 98 mm
J	6-1/8", 156 mm
K	Deck Thickness Ref. Max. 2-3/16", 56 mm
L	Use large mounting nut for thin deck applications
M	22-11/16", 576 mm

Note: Dimensions subject to change without notice.