

OVAL UNDERCOUNTER CERAMIC VESSEL

RONBOW

MODEL: 200555-WH

SPECIFICATION SHEET

UNDER COUNTER SINKS

Under counter ceramic vessel with overflow

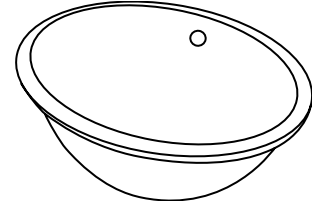
Codes/Standards Applicable

Specified model meets or exceeds the following:

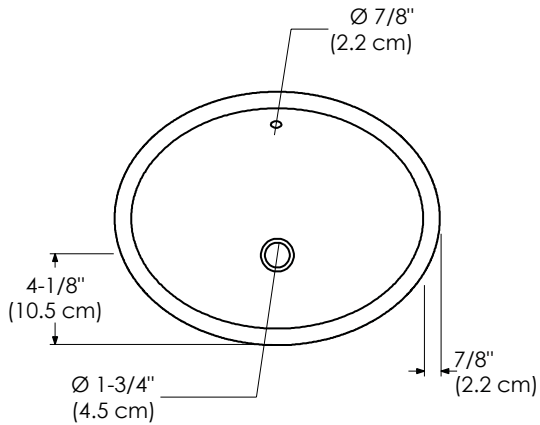
- ASME A112.19.2
- IAPMO/cUPC®
- CSA B45
- CMR 248

Available Colors:
WHITE WH

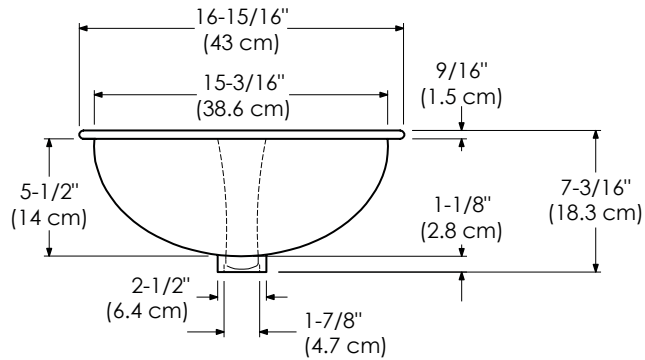
Available tops:
LEONIE STONE COUNTER



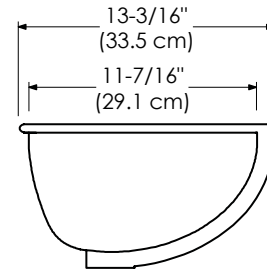
TOP VIEW



FRONT VIEW



SIDE VIEW



By IAPMO, ceramic lavatory warpage is defective only if warpage of flat slab out of horizontal plane exceeds 6.3 mm/m (0.25 in/ft) on all sizes OR warpage on back of lavatories that are attached to the wall exceeds 3 mm (0.13 in).