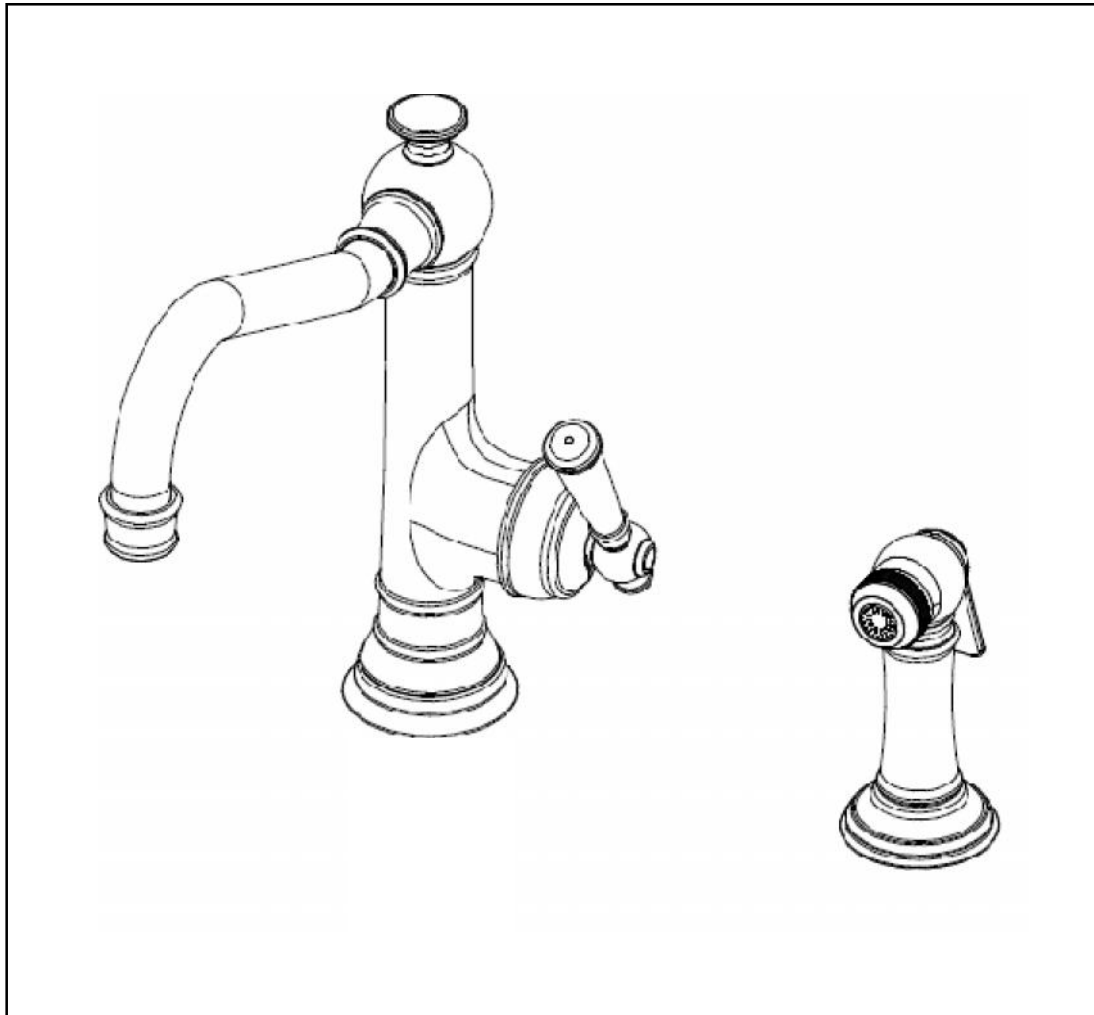


INSTALLATION INSTRUCTIONS  
JACOBEOAN SINGLE HOLE  
KITCHEN FAUCET WITH  
SIDE SPRAY

**NEWPORT BRASS**  
Flawless Beauty. From Faucet to Finish.™

Model No's: 2470-5313



**Congratulations on the purchase  
of your Newport Brass product,  
an excellent choice, that will give you  
years of quality service and enhance  
the look and style of your home.**

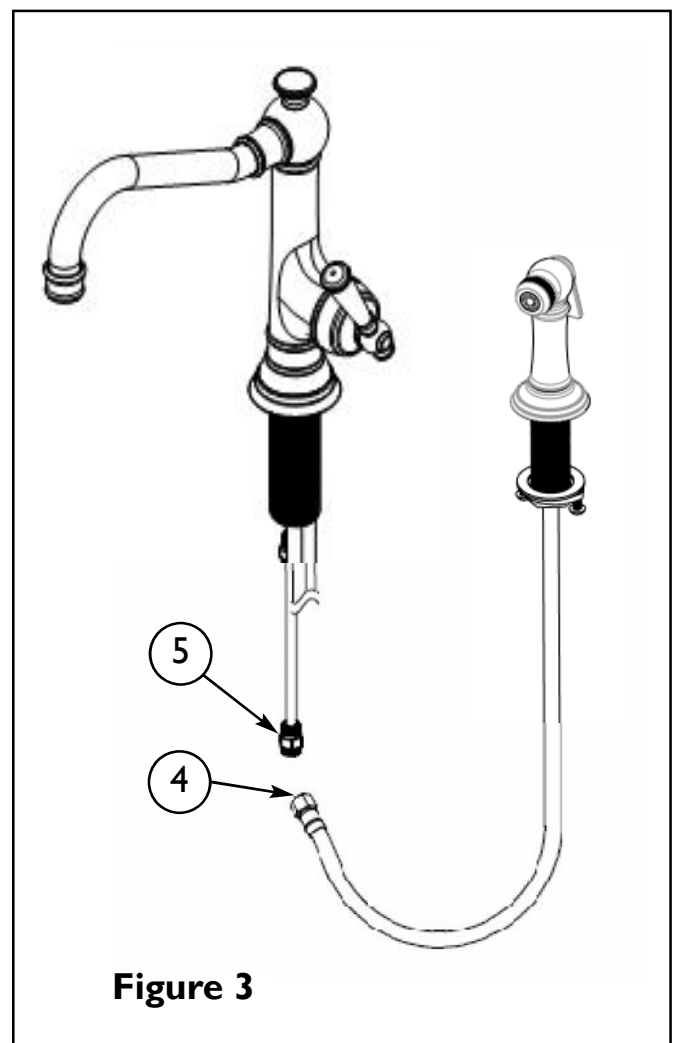
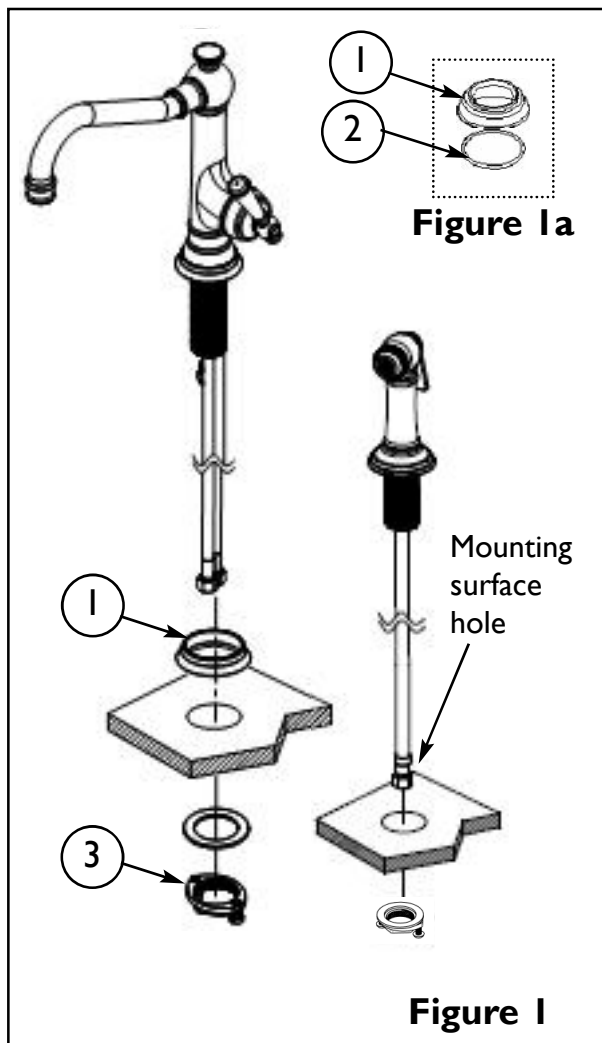
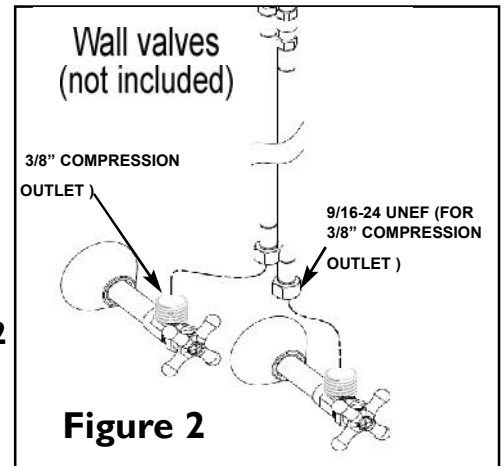
## Recommended Installation by a Professional Plumbing Contractor

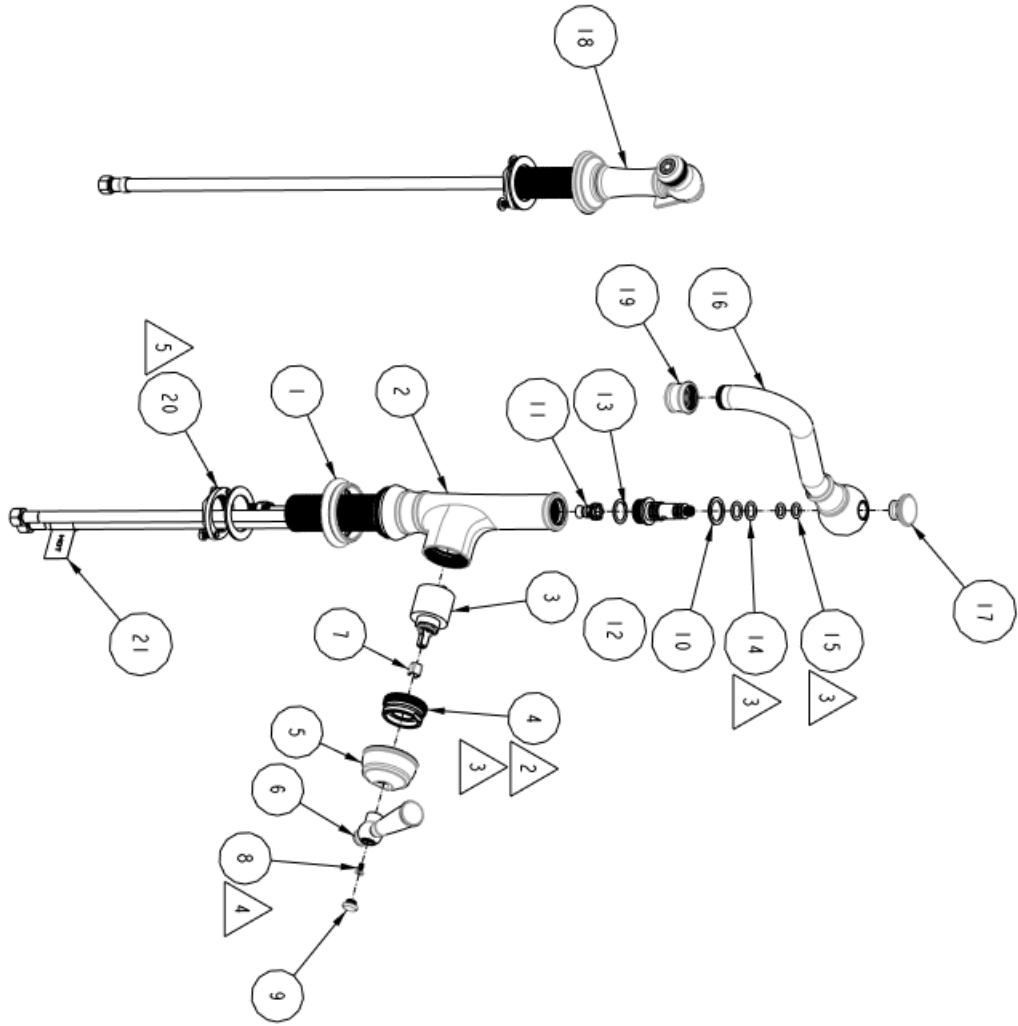
**Note:** The use of petroleum base plumbers putty on our products will nullify the warranty. We recommend the use of clear silicone sealing materials.

If mounting faucet to stainless steel rim, an under-mount support, (e.g. wood, appropriate size x 1/2" thick), should be utilized.

1. Drill hole in mounting surface. Recommended deck hole  $\text{\O}1.350''$  not to exceed  $\text{\O}1.562''$ .
2. Place O-ring (2) on underside of base RING (1). **See Figure 1a.**
3. Insert Hoses through base RING (1) and hole in mounting surface.  
Secure into place with MOUNTING KIT (3). **See Figure 1.**
4. Attach hot/cold spout supply directly to valves in the wall. **See Fig. 2**
5. With faucet in the OFF position, open water supplies valves.  
Inspect connections under sink for leaks. **DO NOT** turn faucet on yet.

6. Connect female connector of SIDESPRAY HOSE (4) to main body SIDESPRAY OUTLET male adaptor (5) **See Fig. 3.**





**Figure 4 - Spare Parts**

Note : Please refer the next sheet for bill of material

## BILL OF MATERIAL (CURRENT LEVEL)

ITEM	PT/ASSY	DESCRIPTION	TYPE	QTY.
1	2-783	BASE RING ASM	ASSEMBLY	1
2	2-788	MAIN BODY ASM , JACOBAN	ASSEMBLY	1
3	1-064	SINGLE LEVER CARTRIDGE	PART	1
4	2-781	CART. RETAINER ASM	ASSEMBLY	1
5	12835	HANDLE HUB	PART	1
6	20-314	HANDLE LEVER ASM	ASSEMBLY	1
7	91534	CARTRIDGE STEM INSERT	PART	1
8	92035	SCRW, M4 X .7 X 10 PHL FLT HD SS	PART	1
9	2-778	CAP ASM	ASSEMBLY	1
10	91353	WSHR, .75 ID x 1.0 OD TEFLON	PART	1
11	11208	DIVERTER	ASSEMBLY	1
12	11856	SWIVEL ADAPTER	PART	1
13	91030	O-RING, #2- 115, EPDM, 65-75 DURO, NSF 61	PART	1
14	91027	O-RING, #2- 112, EPDM, 65-75 DURO, NSF 61	PART	2
15	91025	O-RING, #2- 110, EPDM, 65-75 DURO, NSF 61	PART	2
16	2-786	SPOUT ASM	ASSEMBLY	1
17	11855	FINIAL NUT	PART	1
18	2470-5703	JACOBAN SIDE SPRAY	ASSEMBLY	1
19	2-746	AERATOR ASSEMBLY	ASSEMBLY	1
20	1-256	MOUNTING KIT	ASSEMBLY	1
21	98044	LABEL - HOT	PART	1