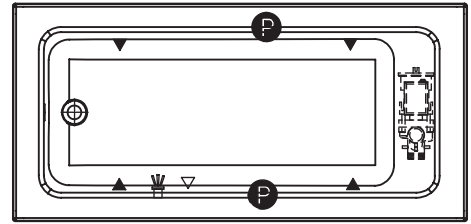
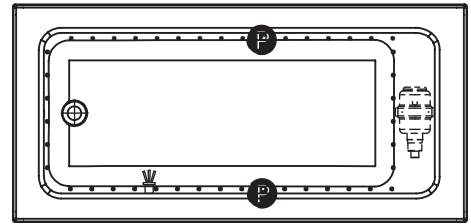


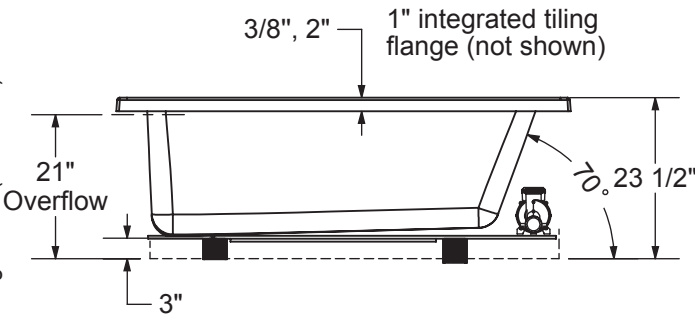
WHIRLPOOL SYSTEM



AIR SYSTEM



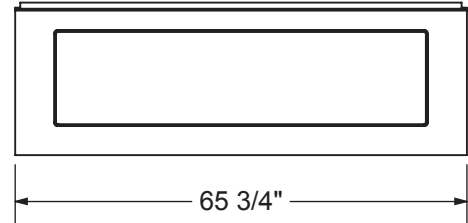
Technical drawing is universal for all 6632 configurations. External dimension (X,Y) vary depending on configuration (see chart)



- (Ⓟ) : Indicates optional grab bar positioning
- (▲) : Indicates whirlpool jets positioning
- (△) : Indicates suction positioning
- (●) : Indicate airjets positioning
- (☼) : Indicates chromotherapy light positioning

	DROP IN 2"	DROP IN 3/8"	ALCOVE / CORNER
X	66 1/4"	66"	65 3/4"
Y	31 3/4"	31 5/8"	31 5/8"

APRON (alcove version only)



Wood support design may vary.  
 Integrated tiling flange: 1" height X 1/4" thickness (not shown)  
 Tiling flange position is determined by chosen configuration.

All dimensions are approximate.  
 Structure measurement must be verified against the unit to ensure proper fit.