

FLATIRON ADAMUD-652SB



• FEATURES

16-gauge type 304 stainless steel
90° zero radius design

• TECHNICAL INFORMATION

External dimension: 31"Lx18.5"Wx5.5"D
Basin dimensions:
Left: 16"Lx16.5"Wx5.5"D
Right: 12"Lx16.5"Wx5.5"D

• FINISHES

Satin Brushed stainless steel

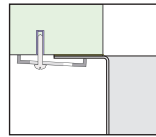
• INSTALLATION OPTIONS

Top-mount
Under-mount

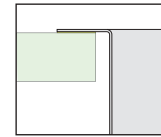
• MINIMUM CABINET SIZE (I.D.)

Top-mount 32"
Under-mount 34"

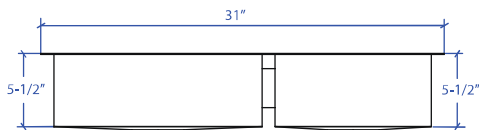
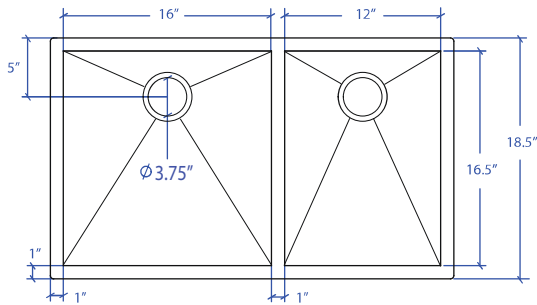
• DUAL-MOUNT INSTALLATION



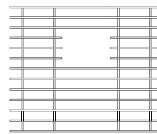
Under-mount



Top-mount



• ACCESSORY OPTIONS



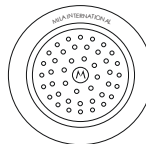
MBG-6504SB
Basin Grid



MBG-6501SB
Basin Grid



MCB-651BB
Cutting Board



MKD-101SB
Strainer

PROJECT INFORMATION

Project			
Date	/ /	QTY	
Specifier			
Contact			
Note			