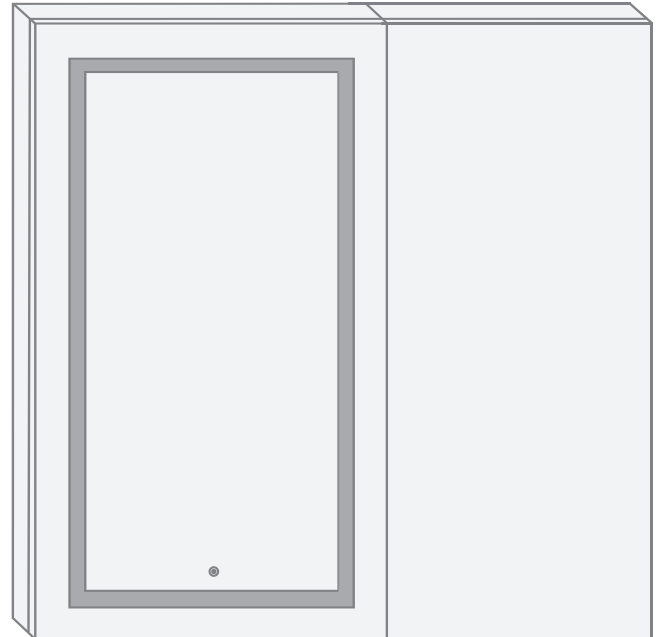


## Features

- Dimmable LED task lighting
- Integrated touch sensor control with memory
- Energy efficient LED lighting 5000K
- 4100 Lumens
- CRI 90+
- Integrated Defogger

## Construction

- Quality polished edge mirror
- Single phase wire installation
- 5 MM Silver Backed Copper Free
- Installation Either Surface Mount
- (Side Mirror Trim Panels included) or Recessed
- Includes installation hardware



## Codes/Standards Applicable

- Conforms to UL Std. 962
- Cert. to CSA Std. C22.2 No.250.0-08
- ETL Intertek 5004931

## Electrical System

- 120Vac, 60Hz, 55W
- Electric Current: 0.45A
- Wattage: 55W

## Model

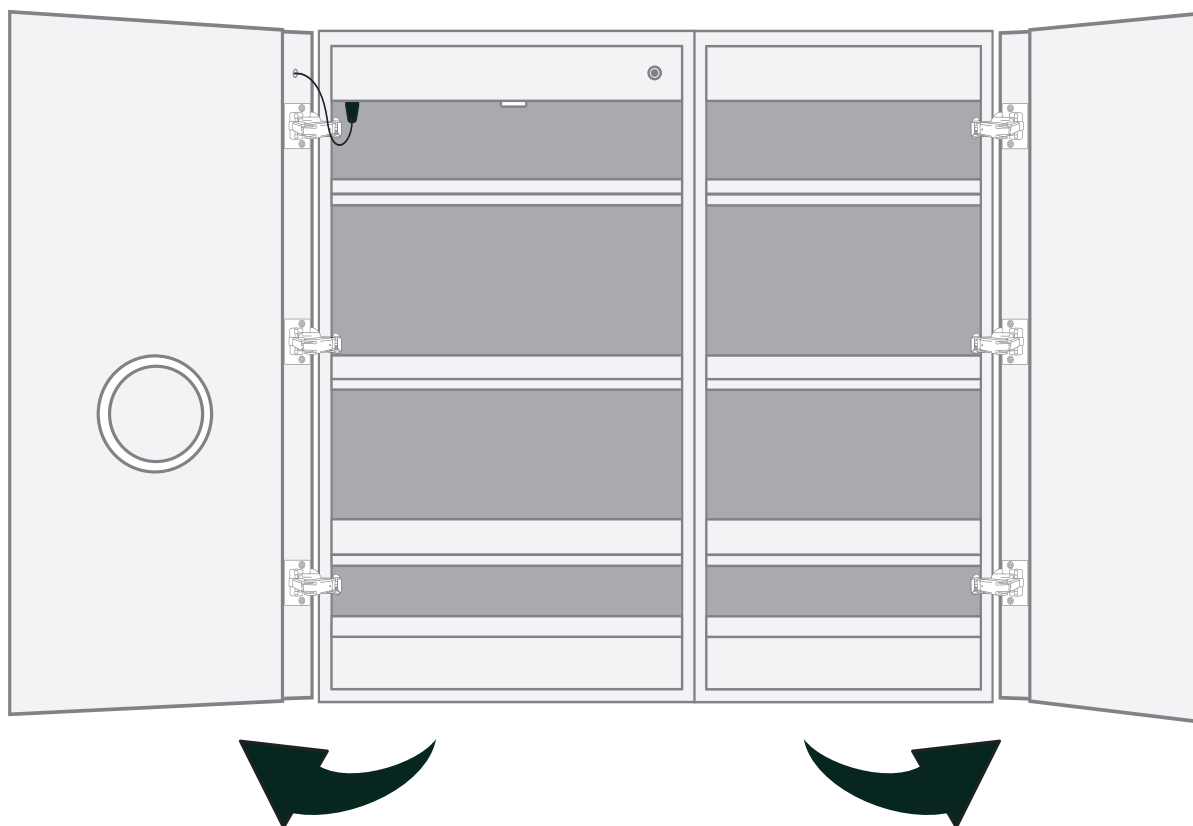
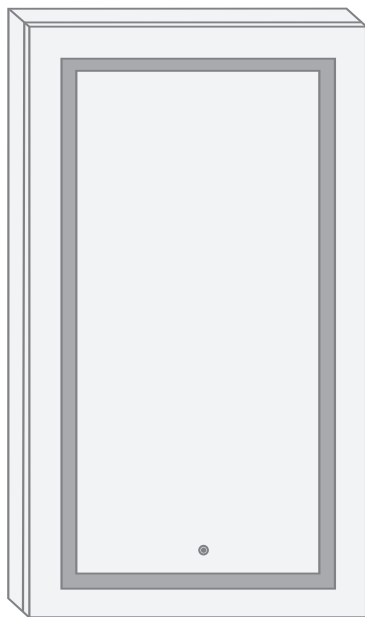
- SVANGE 4242L Left Swinging Door
- Included models in this configuration:  
Cabinet 1=2442L Cabinet 2=1842R

## Electrical System

- Performance Requirements: Contains the required
- Supervisory Circuit with the Auto-Monitoring Function as noted by UL 1310
- Input Voltage: Min 112Vac, Nom 125Vac, Max 137Vac
- Frequency: 60Hz
- Front Receptacle Current: 102-132Vac Nominal 15A
- USB Output Current: 5VDC Nominal 4A

**CABINET CONFIGURATION**

- Included models in this configuration:  
Cabinet 1 = 2442L Cabinet 2=1842R

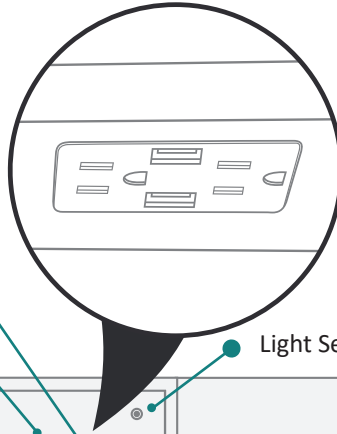


# SVANGE 4242L LED Medicine Cabinet - Specification Sheet



Recessed Or  
Surfaced Mounted

2 110v Outlets  
& 2 USB Inlets



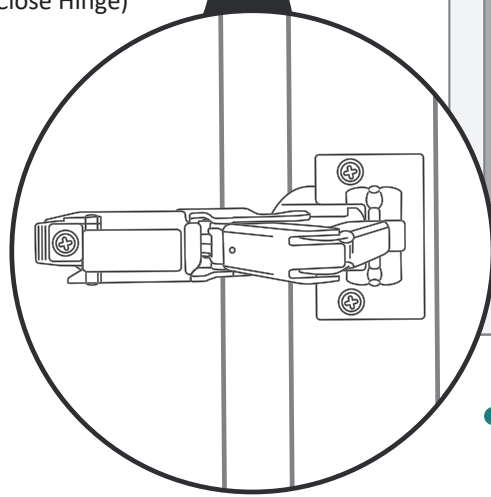
Light Inside

Light Sensor

Lighted Door

170 Degree Blum Hinges  
(Soft Close Hinge)

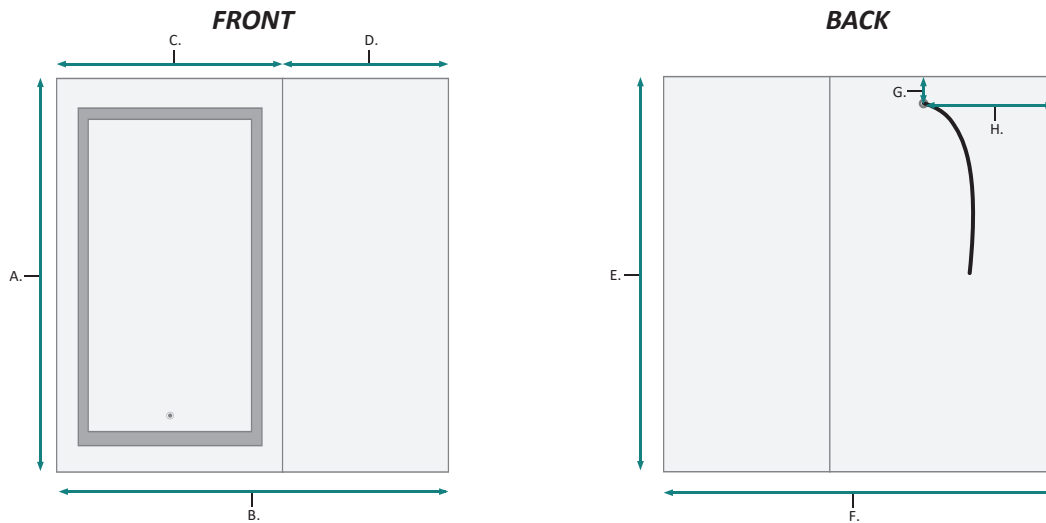
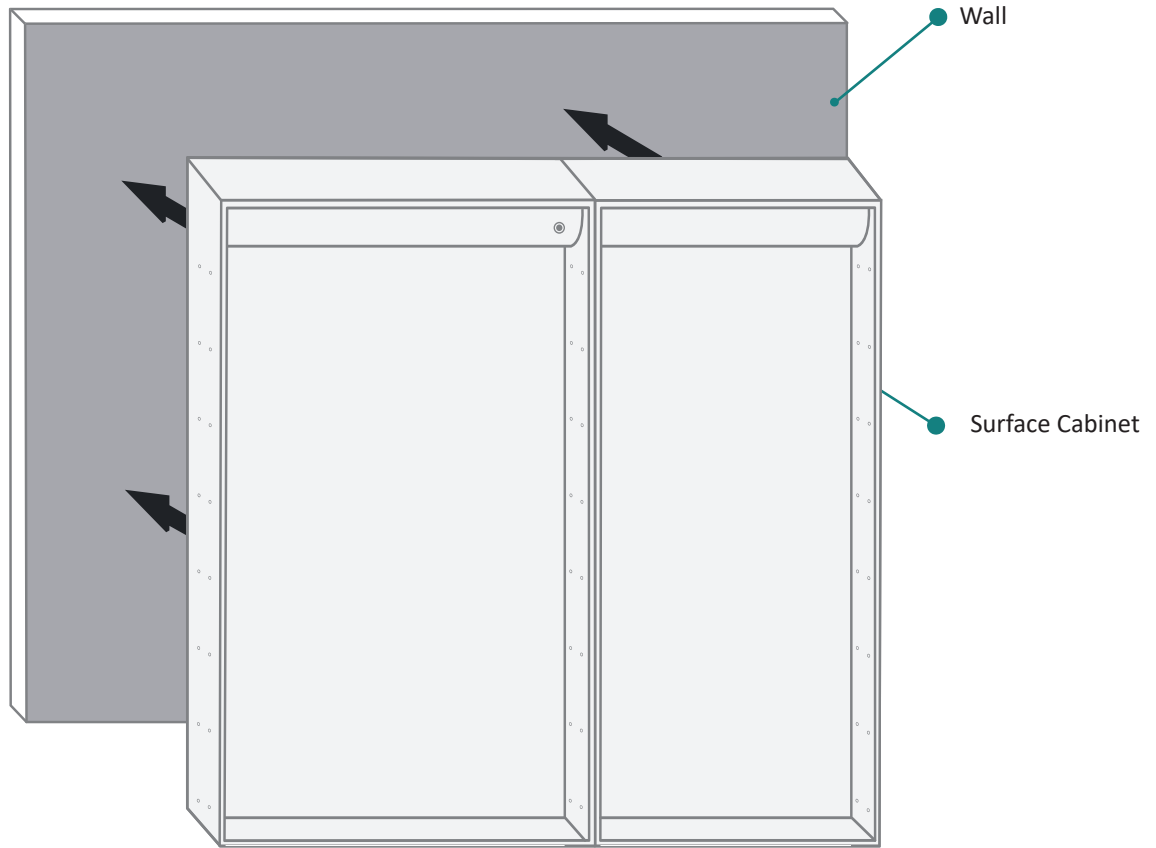
3x Magnified  
Mirror-Halo Lighted



Intergrated  
Heating  
Element To  
Keep Mirror  
Fog Free

On/Off  
Dimmer  
Button

**SURFACE MOUNT**

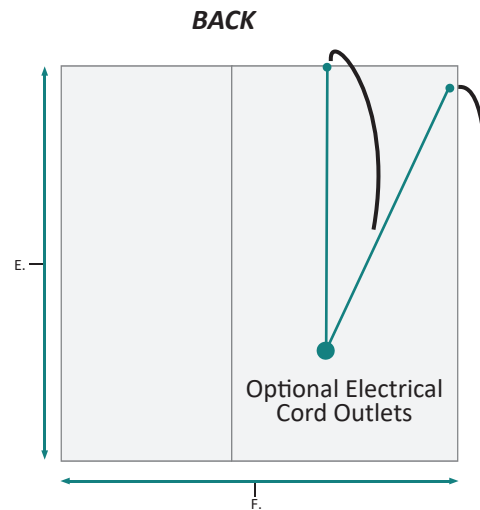
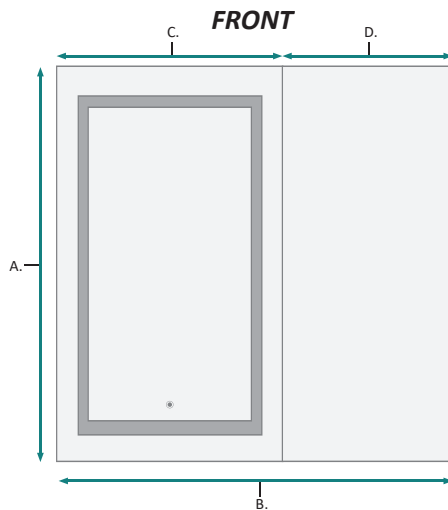
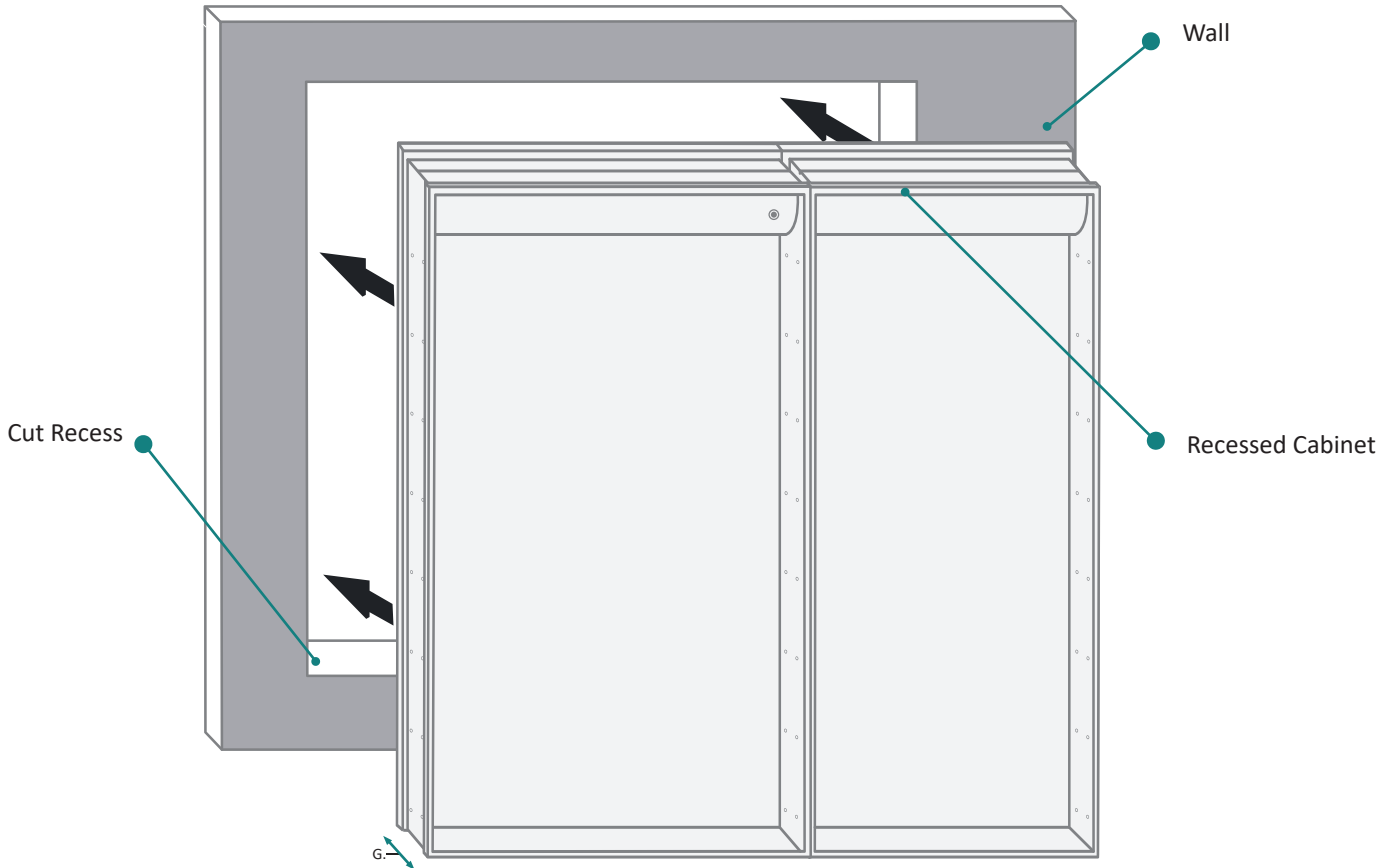


**FRONT & BACKS**

MODEL	A	B	C	D	E	F	G	H
SVANGE4242L	42	42	24	18	40-1/2	39	1-1/8	11-1/4

These measurements are for reference, for best results we suggest you measure actual product as small variations in size are possible

**RECESSED MOUNT**

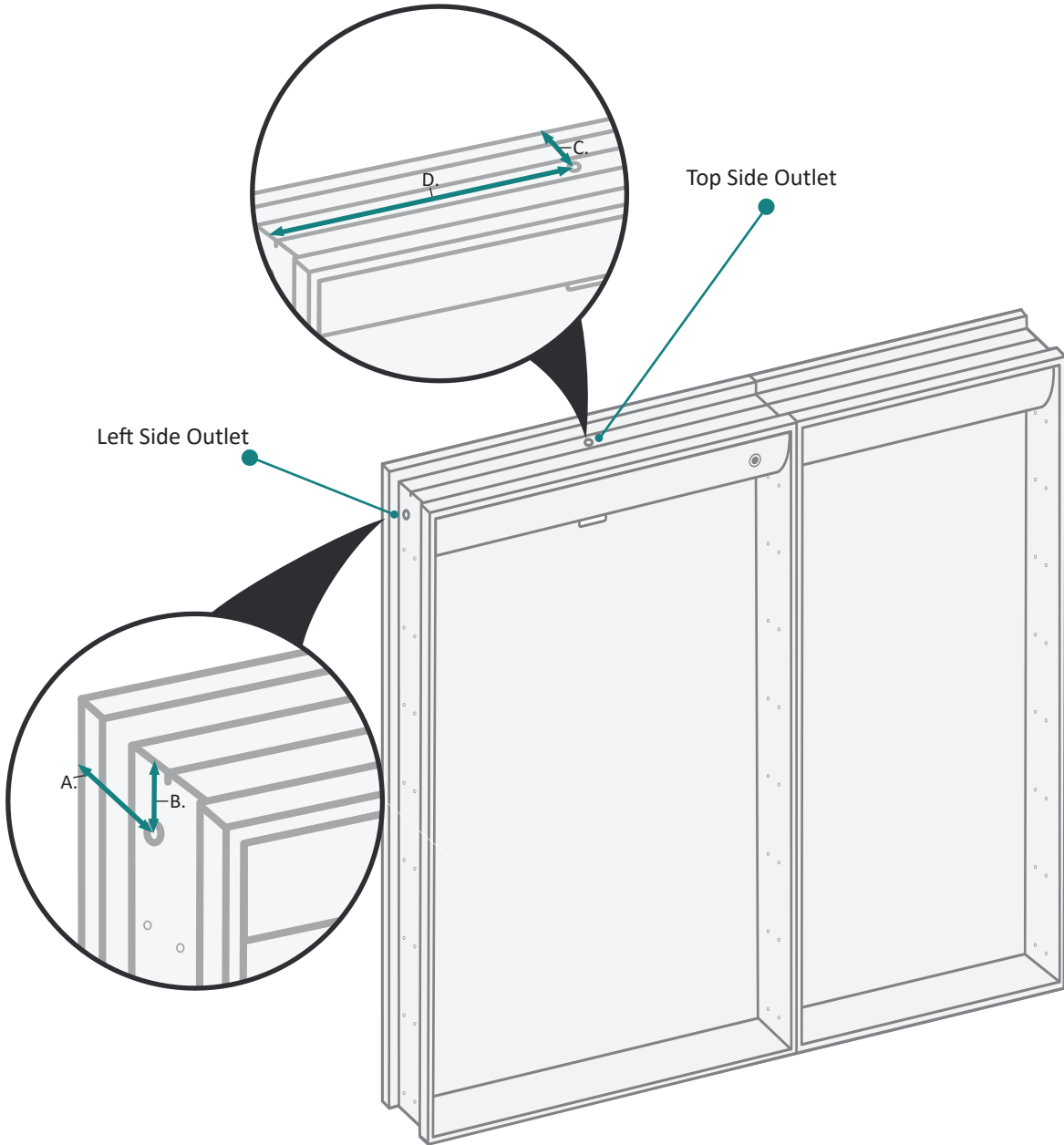


**FRONT & BACKS**

MODEL	A	B	C	D	E	F	G
SVANGE4242L	42	42	24	18	40-1/2	39	3-7/8

These measurements are for reference, for best results we suggest you measure actual product as small variations in size are possible

**RECESS INSTALLATION OPTIONAL ELECTRICAL CORD LOCATIONS**

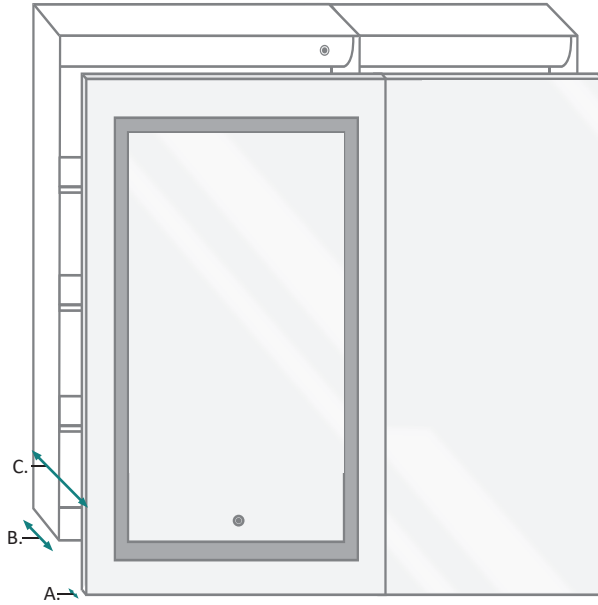


**ELECTRICAL CORD LOCATIONS**

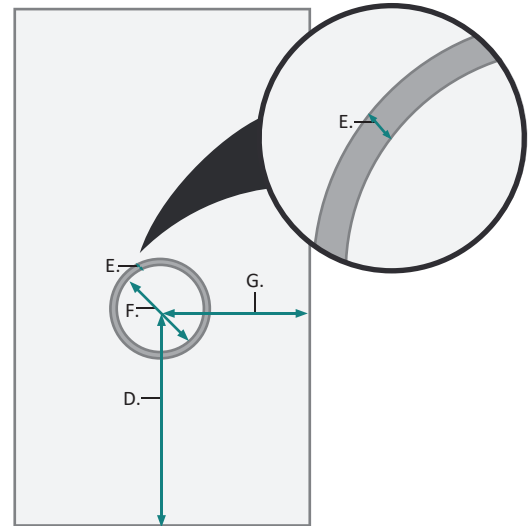
MODEL	A	B	C	D
SVANGE4242L	1-1/2	1-1/8	1-3/8	11-1/4

These measurements are for reference, for best results we suggest you measure actual product as small variations in size are possible

# SVANGE 4242L LED Medicine Cabinet - Specification Sheet

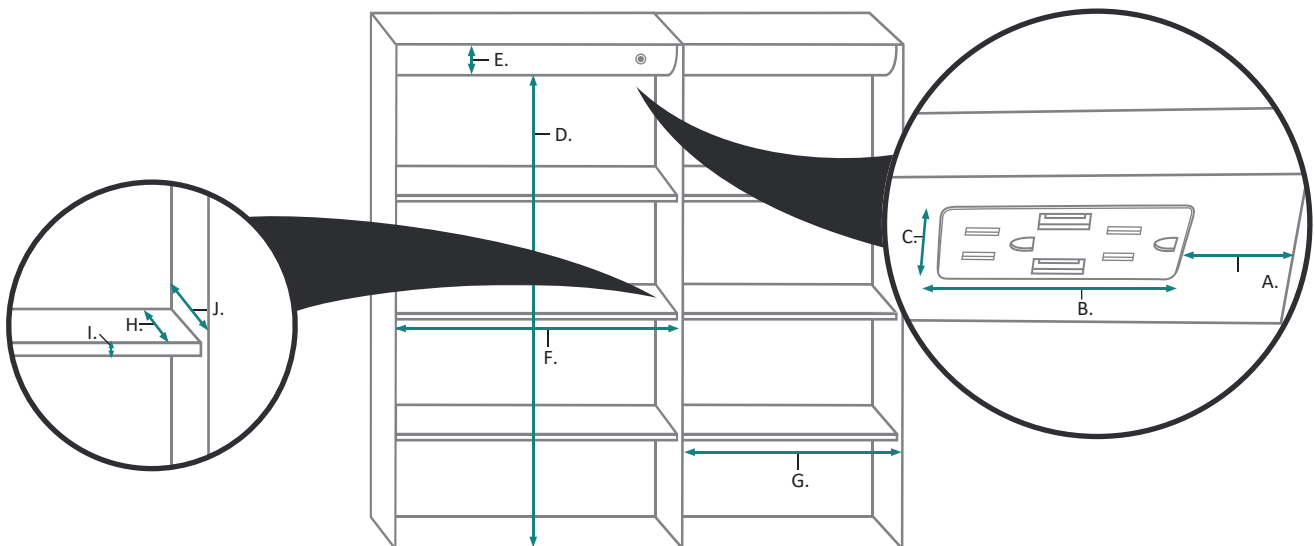


## INTERIOR DOOR



### DOOR & CABINET

MODEL	A	B	C	D	E	F	G
SVANGE4242L	7/8	3-7/8	4-3/4	18	3/8	5-1/4	11-1/4



### INTERIOR CABINET

MODEL	A	B	C	D	E	F	G	H	I	J
SVANGE4242L	3-3/4	5-5/8	1-1/4	38-1/4	2-1/4	22-1/2	16-1/2	2-3/8	3/8	3-5/8

These measurements are for reference, for best results we suggest you measure actual product as small variations in size are possible