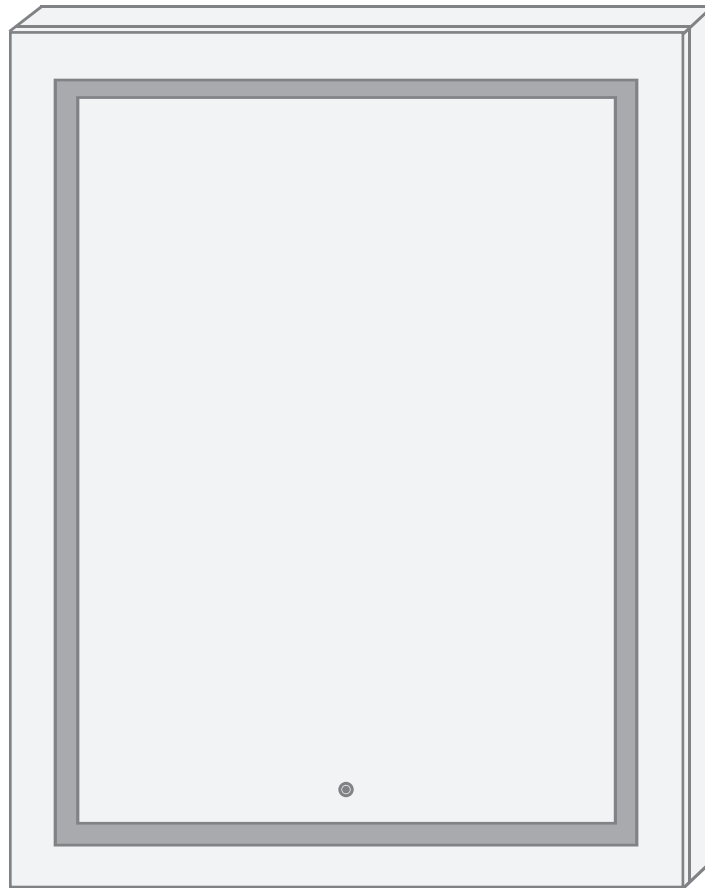


SVANGE

LED Medicine Cabinet

Installation & User Guide





DANGER

Risk of personal injury. To avoid possible electrical shock, the electricity must be turned off at the circuit breaker or fuse box before attempting any installation procedure.

Risk of personal injury. To avoid possible electrical shock, the mirror must be properly grounded.



CAUTION

Total/Maximum shelf load 34lbs/15.4kg

GROUNDING INSTRUCTIONS

This product must be connected to a grounded metal, permanent wiring system, or an equipment-grounding conductor must be run with the circuit conductors and connected to the equipment-grounding terminal or lead on the product.



WARNING

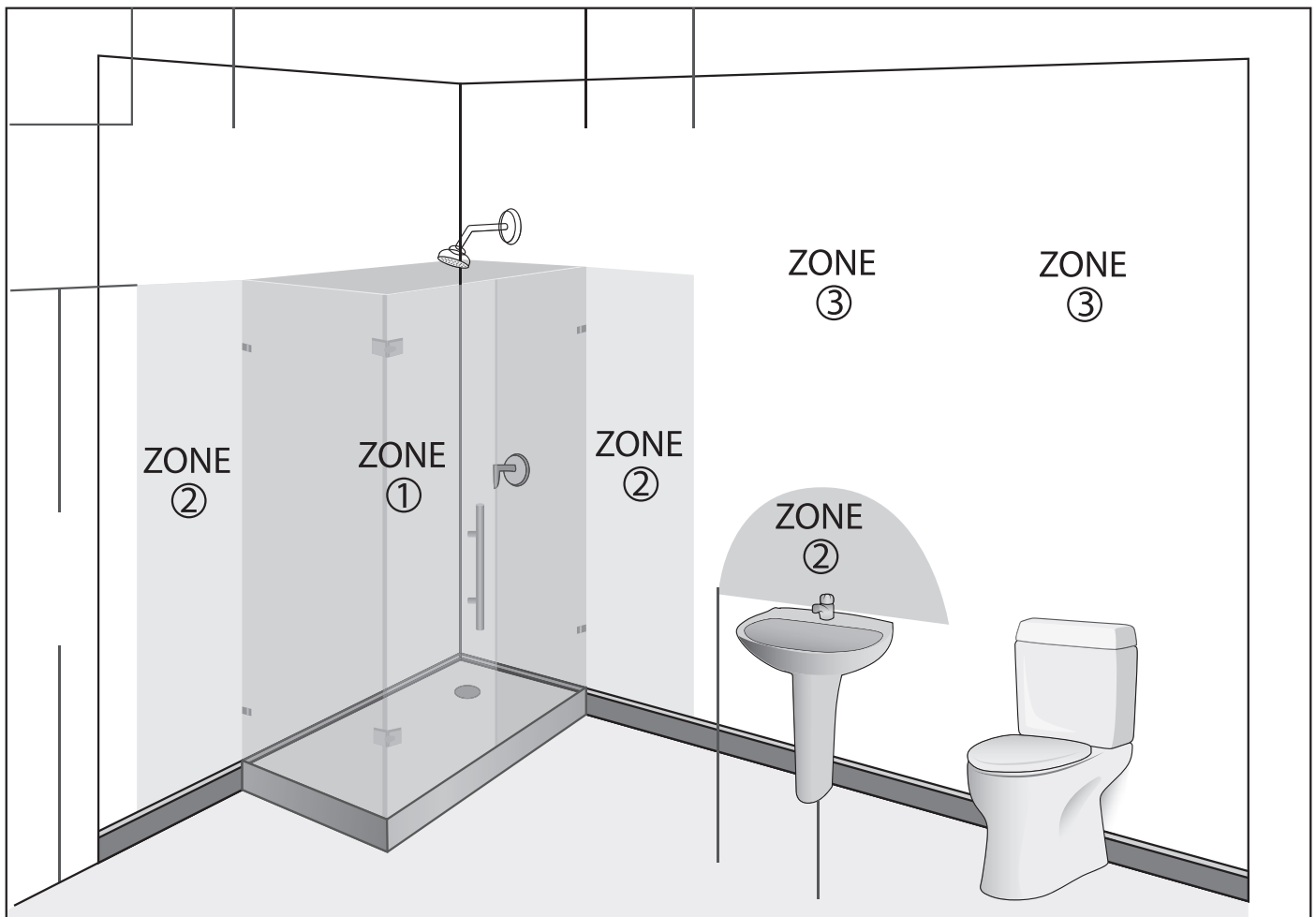
An Electrical option cabinet must be wired to a 20 Amp GFI (Ground Fault Interrupter) protected circuit when used in bathrooms and all other locations required by the National Electric Code.

To reduce the risk of burns, fire, electric shock or injury to persons. Use this furnishing only for it's intended use as described in these instructions. Do not use attachments not recommended by the manufacturer. Never drop or insert any object into any opening. Do not use outdoors.

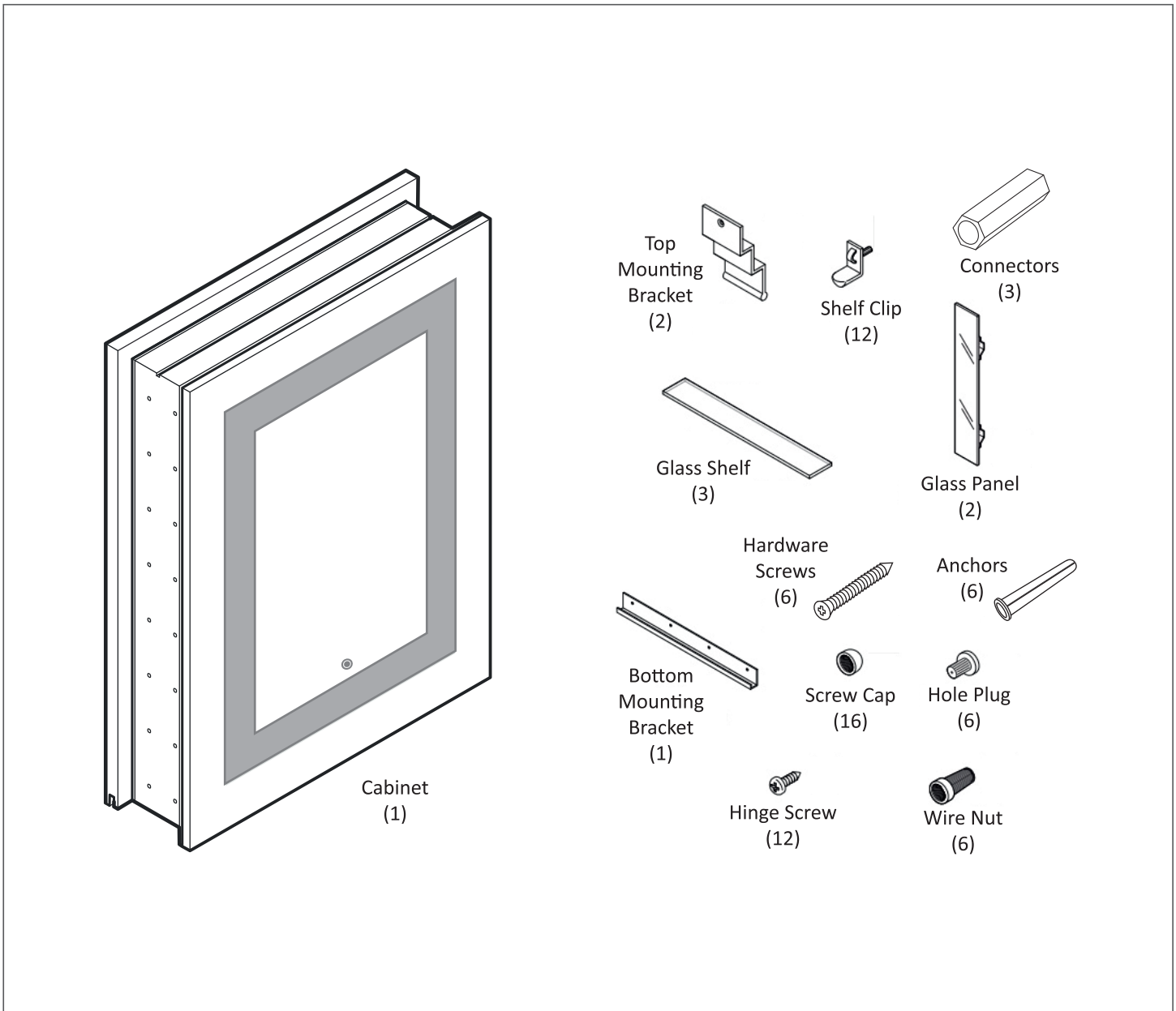
Risk of electric shock. Connect this furnishing to a properly grounded circuit only. See Grounding instruction.

WARNING

- All fittings must be installed in accordance with current IEE wiring regulations. If in doubt, consult a qualified electrician.
- Switch off the electrical supply at the main circuit board BEFORE installation and maintenance.
- Suitable for Bathroom Zones 2, 3 and non bathroom/dry areas. See diagram below.
- NOT suitable for above baths or Zone 1 not for installation in Saunas, Steam Rooms or Shower Cubicles.
- Suitable for indoor use only.
- DO NOT fix to damp or conductive surfaces.
- Site well away from curtains and fabrics.
- Never cover the mirror.
- Switch off after use.



PARTS LIST



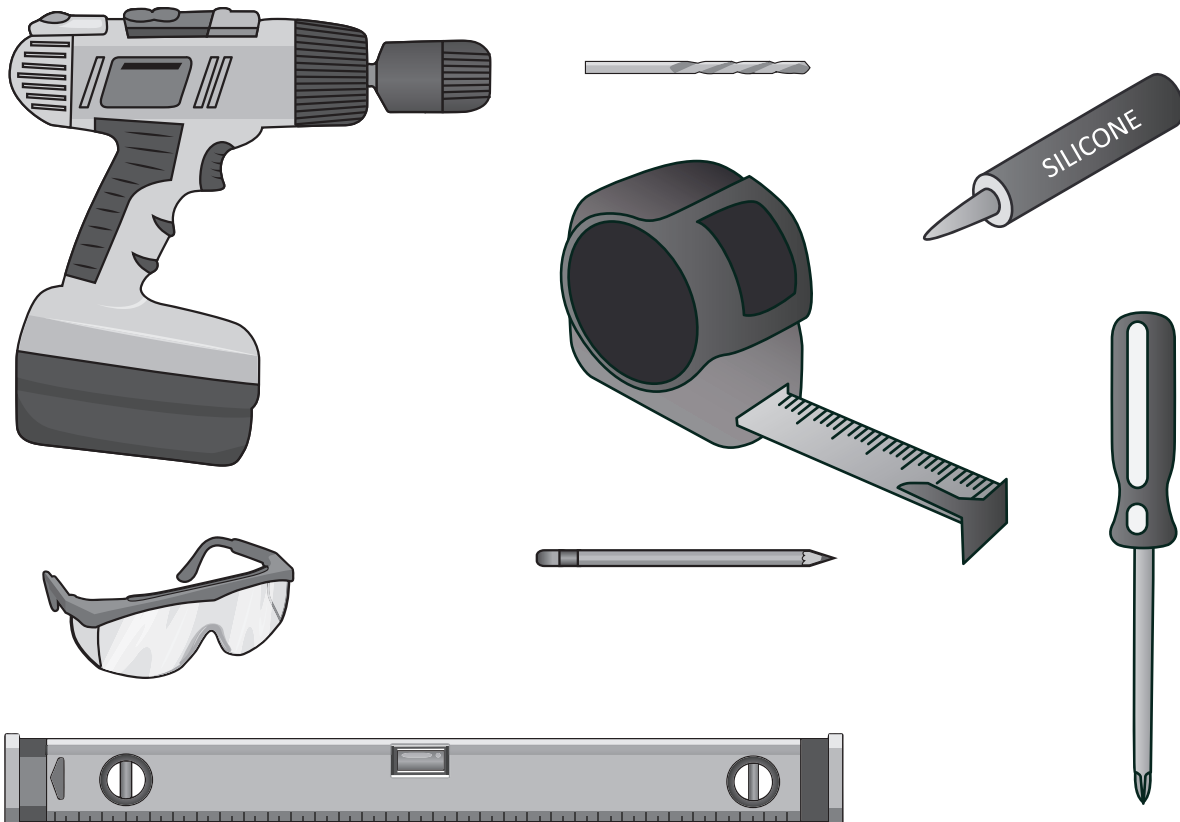
IMPORTANT - BEFORE YOU BEGIN

- Inspect the product immediately upon receipt for transit damage or missing parts.
- Handle the product with care and protect against knock to all sides and edges of the glass.
- Make sure that you have all the tools you need to complete the job. (SEE BELOW)
- Ensure there are no hidden pipes or cables in the wall before drilling.
- If drilling holes in ceramic tiles use a piece of masking tape on the tile to stop the drill bit from slipping.

Aftercare Instructions

- Clean using a soft dry cloth only when turned off.
- Never use cleaning agents or abrasive materials.
- Do not allow moisture to come into contact with lamps.

TOOLS USED



WARNING

The Lead Contains 3 Wires:

COPPER WIRE (GREEN) = *GROUND WIRE*... Connect to *GROUND WIRE* in your box, or to the box as a ground.

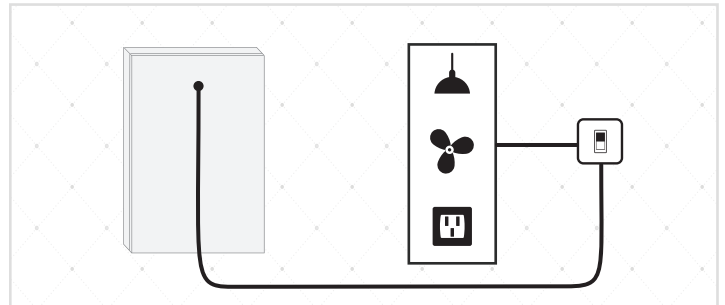
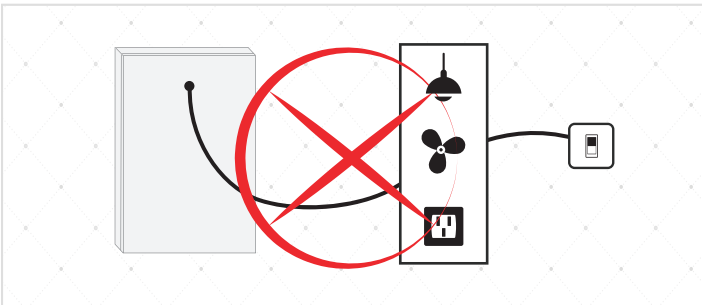
WHITE (or BROWN) = *NEUTRAL WIRE*... Connect to the *WHITE NEUTRAL WIRE* in your box.

BLACK (or BLUE) = *HOT WIRE*... Connect to the *BLACK HOT WIRE* in your box.

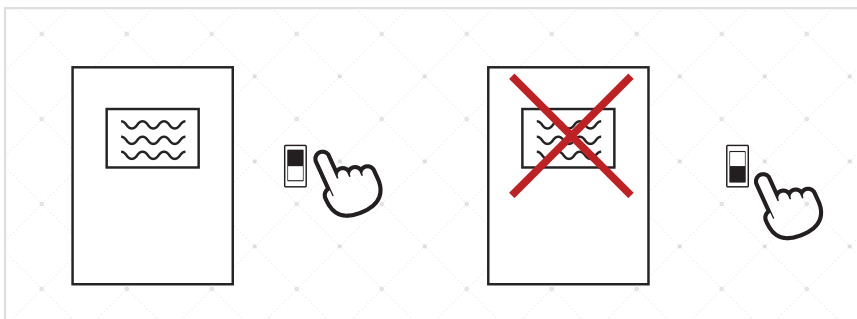
The Svange wires will be connected to your 120 Volt electric box. This should be placed in the wall, behind your Svange Cabinet. The suggested method for placement is towards the center, however there is flexibility with the lead wire.

- Suitable for indoor use only.
- DO NOT fix to damp or conductive surfaces.
- Site well away from curtains and fabrics.
- Never cover the mirror.
- Switch off after use.

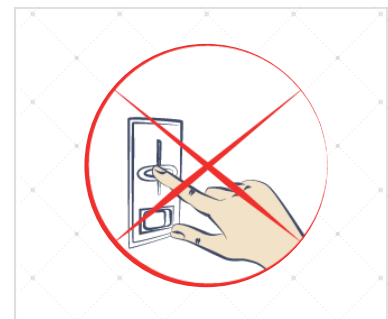
Please follow below illustrations



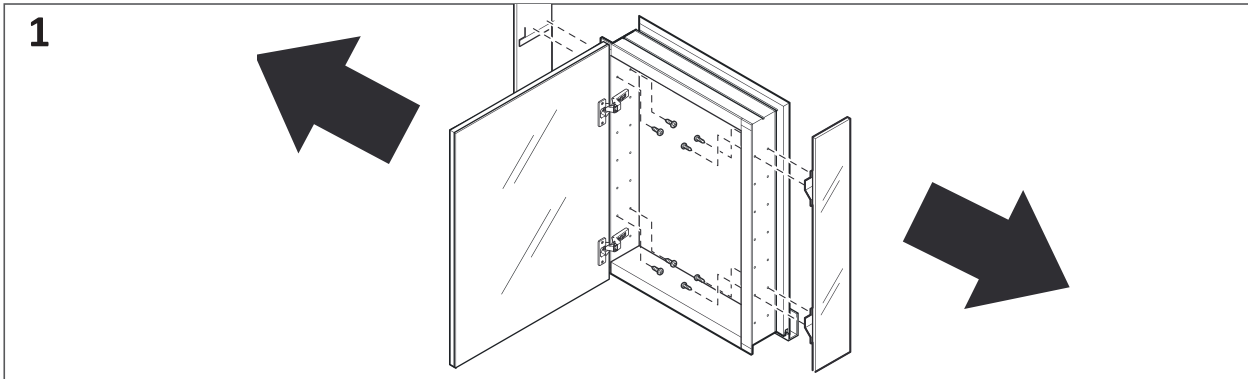
*Install optional outside switch to control the deffogger
Refer to how to use guide for more information*



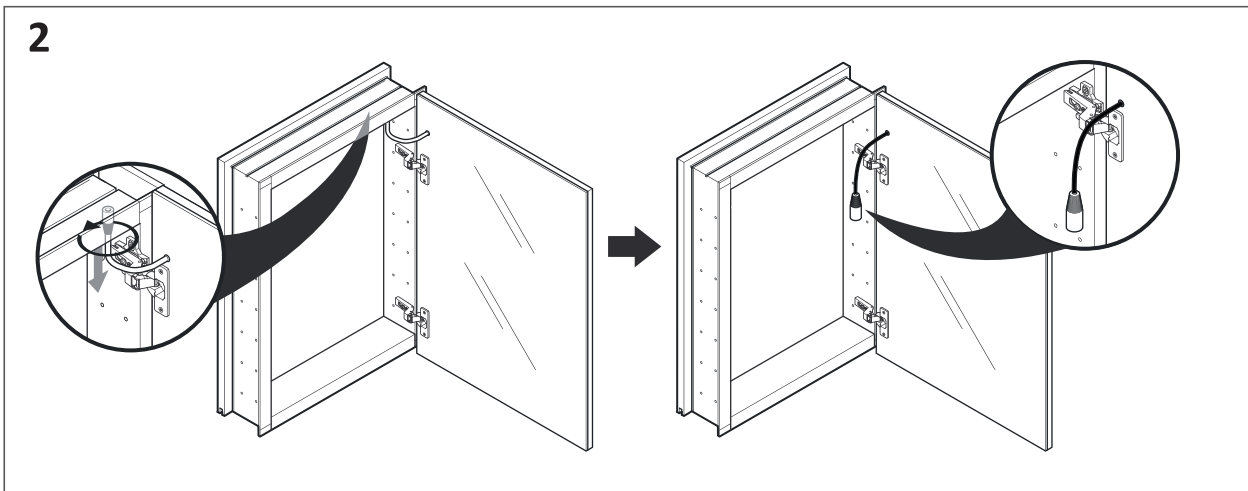
You CANNOT use an outside dimmer with the mirror



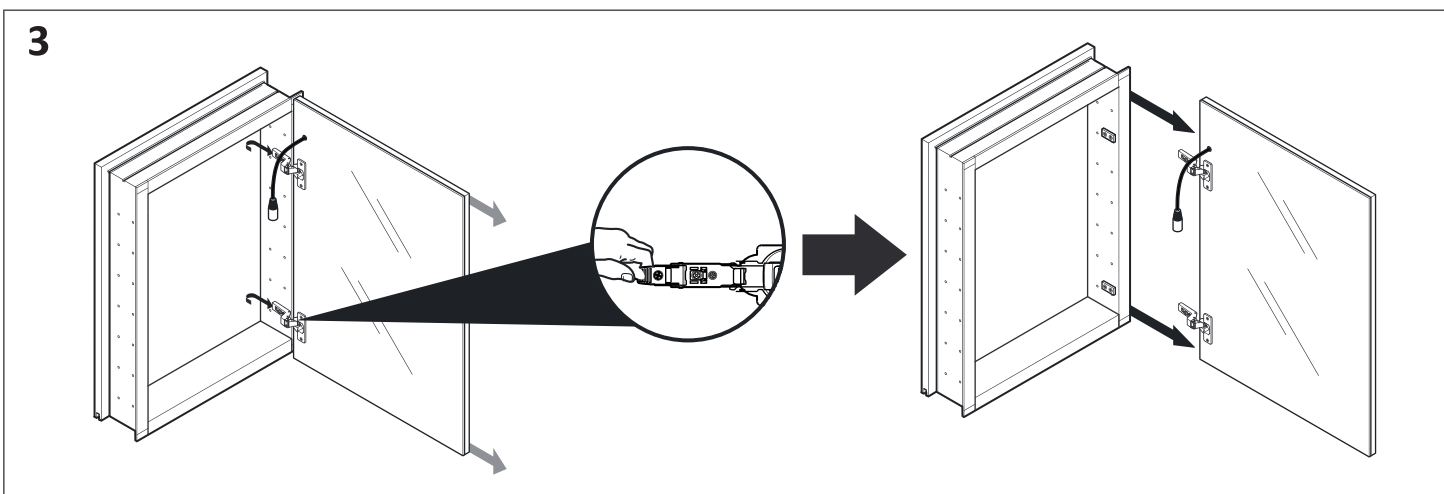
RECESS MOUNT INSTALLATION



Carefully
remove side
mirror
panels

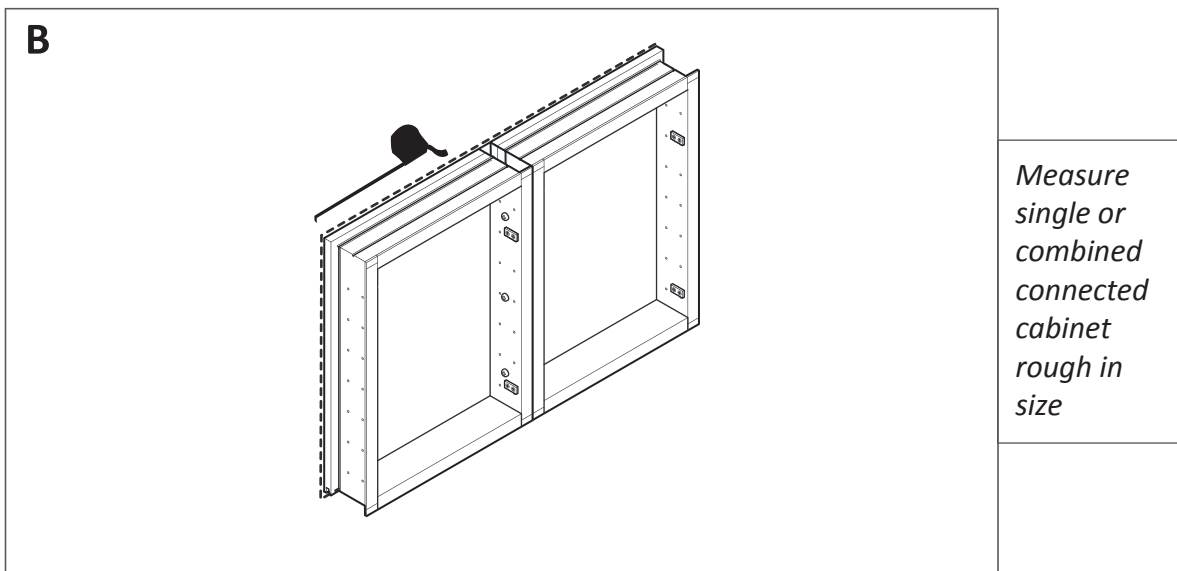
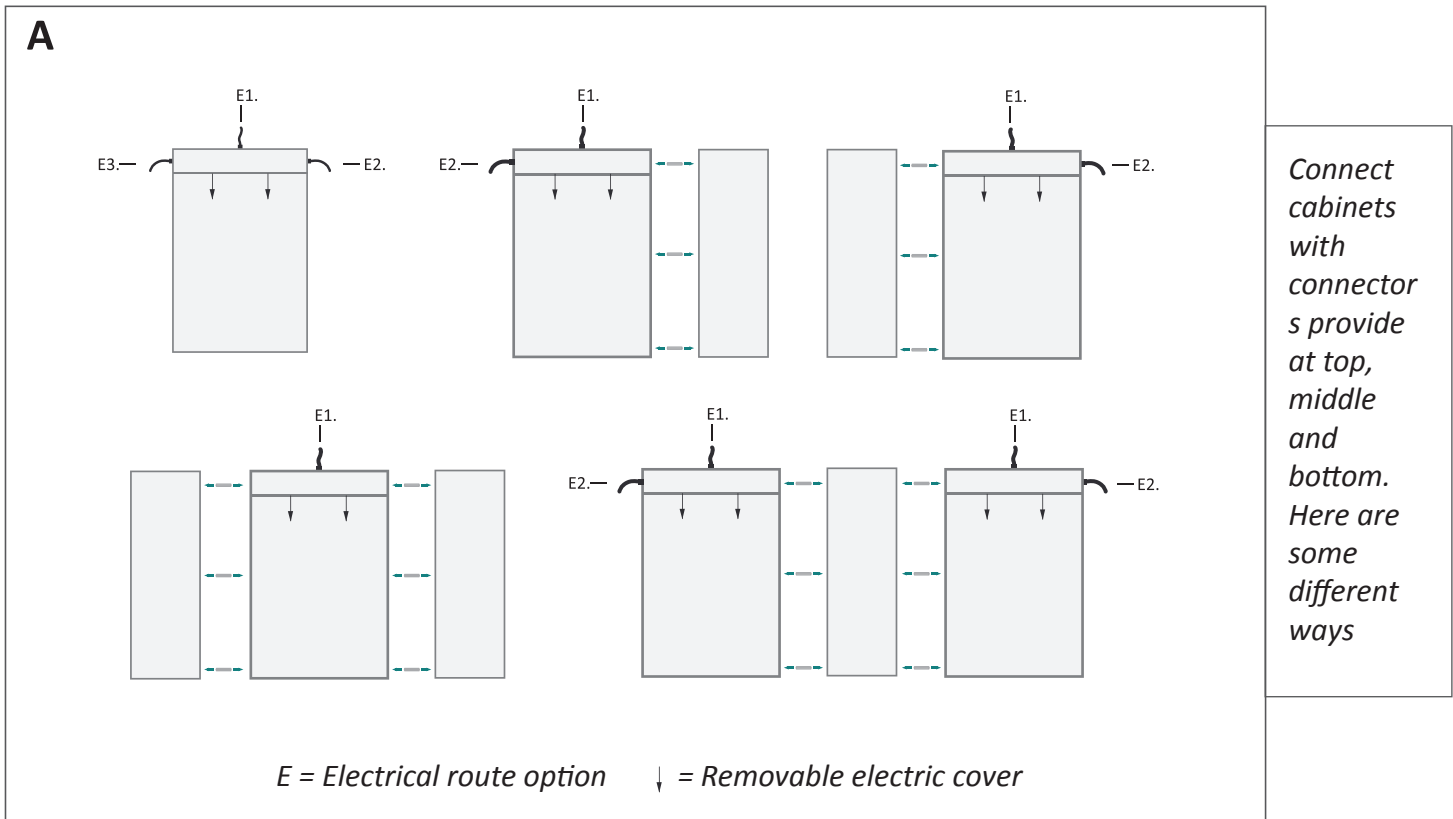


Remove
door prior
to
mounting
your
cabinet.
Start with
unplugging
the door
from the
cabinet

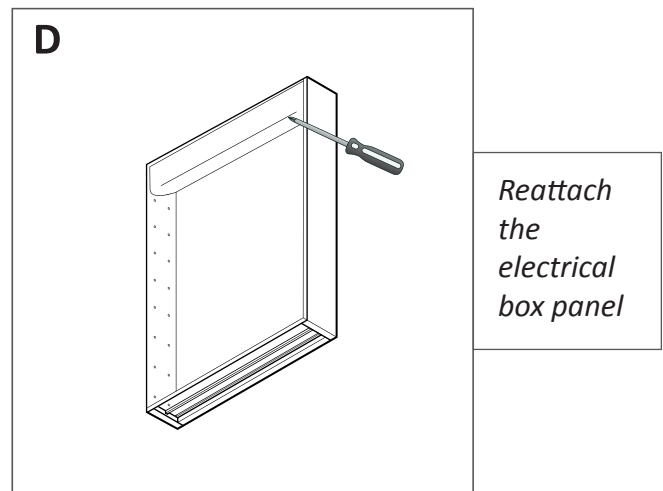
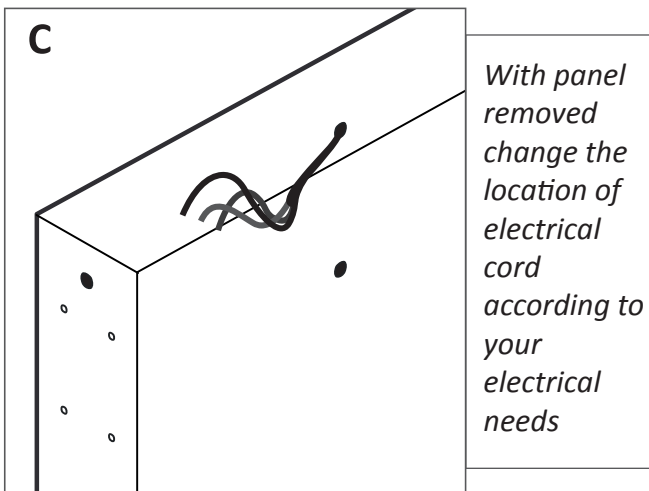
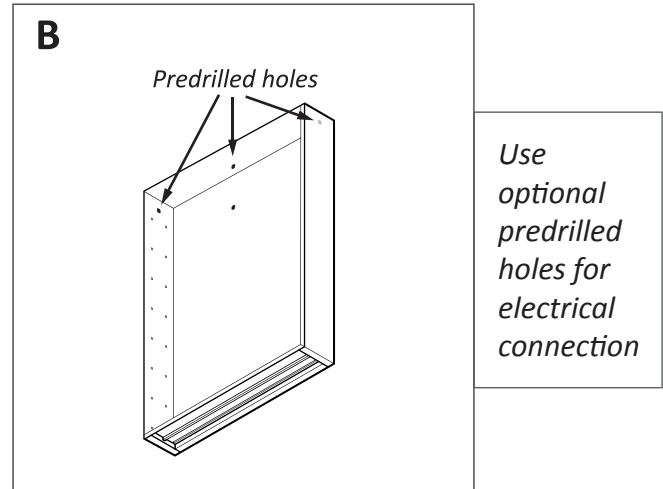
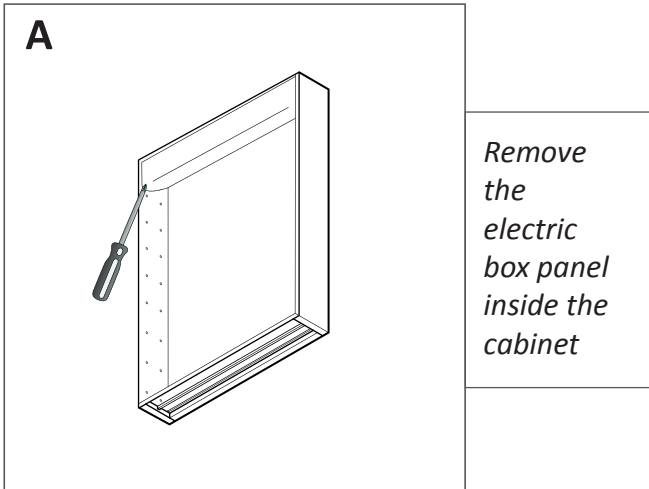


While supporting the door release (the leaf under the hinge arm), slide the door off the frame.

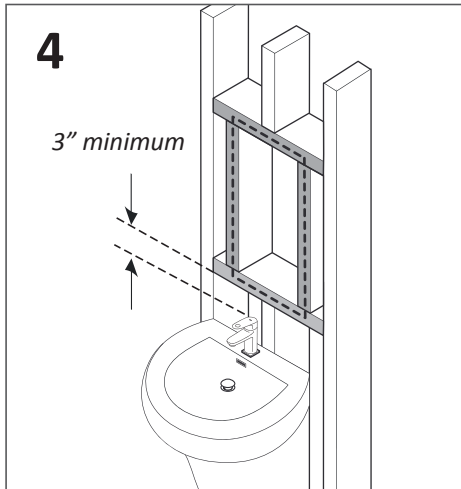
CONNECTING CABINETS (OPTIONAL RECESS MOUNTING)



ELECTRICAL PREPARATION



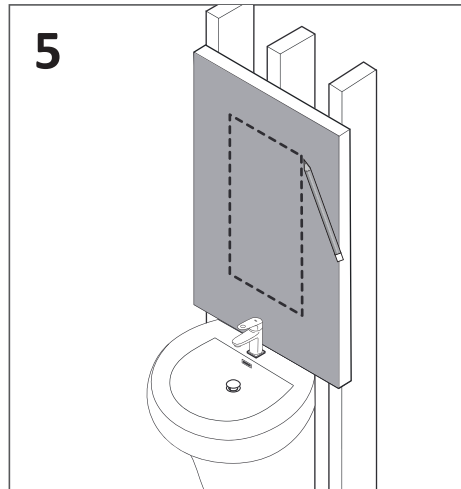
RECESS MOUNT INSTALLATION CONTINUED



4

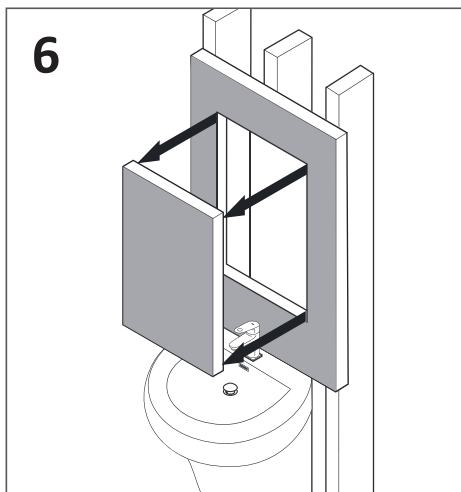
3" minimum

Frame the opening for the cabinet based on the measurement



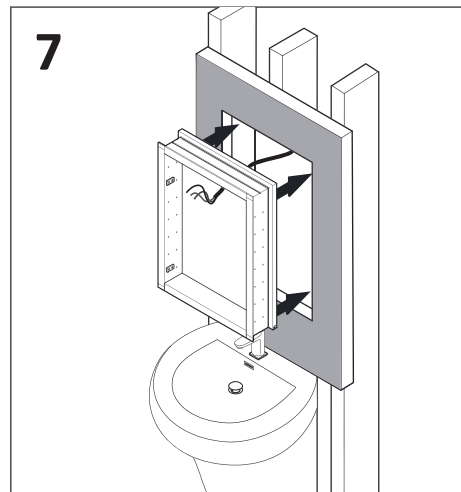
5

Draw the perimeter of the cabinet on the wall



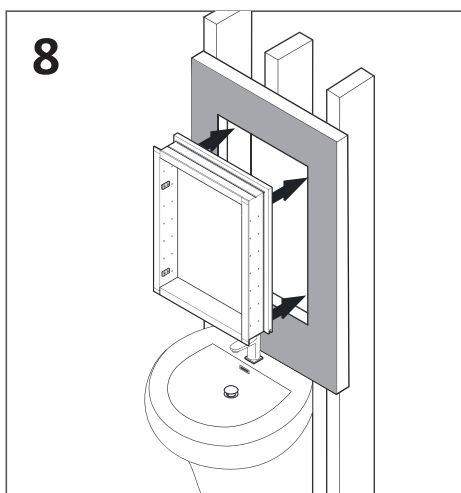
6

Cut the marked perimeter with suitable tool



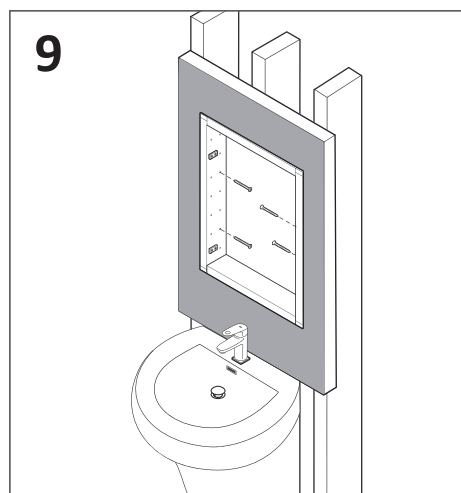
7

Connect electrical wires before inserting the cabinet into the opening



8

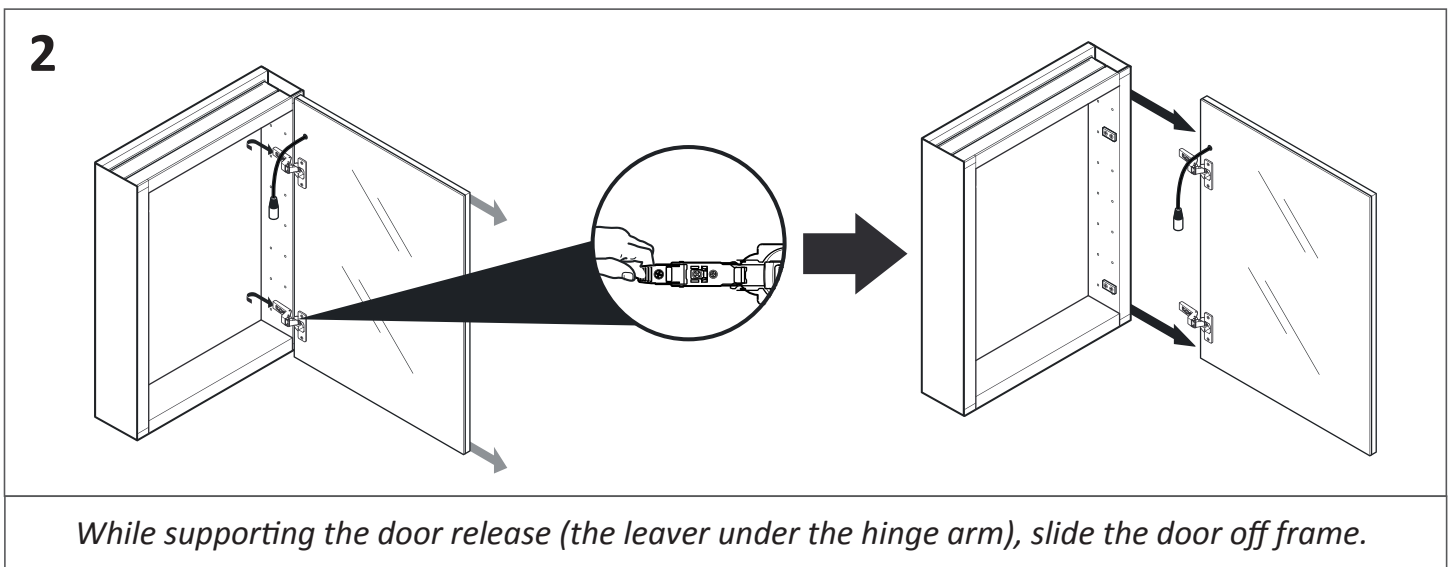
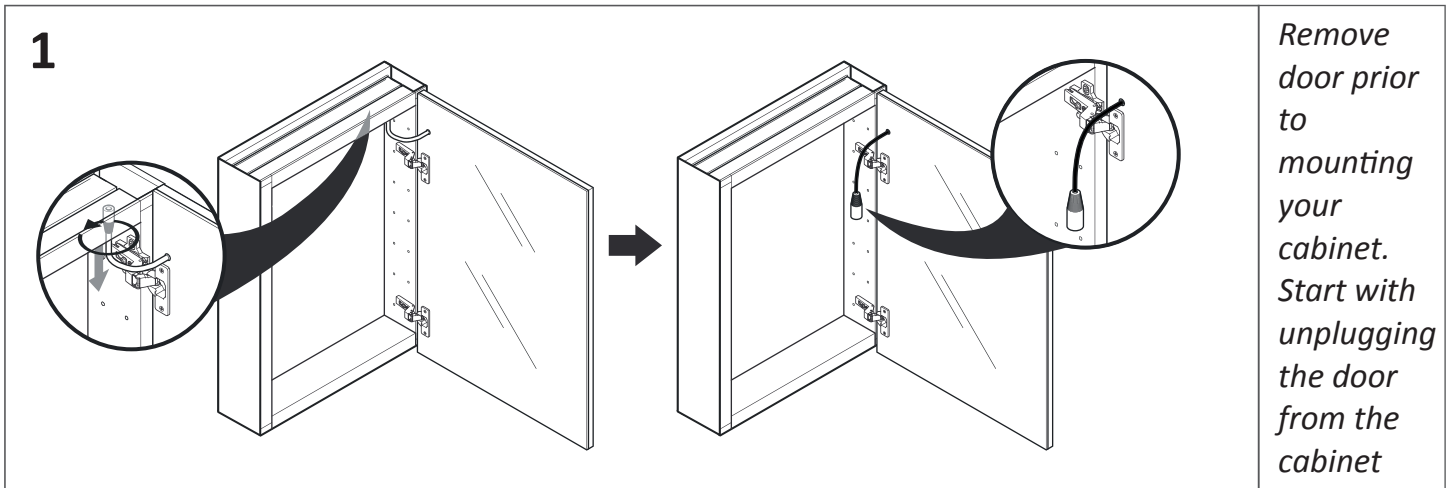
Position cabinet in cutout opening



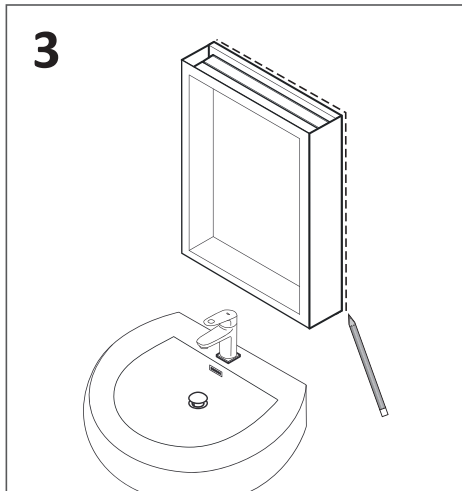
9

Affix using screws into the stud

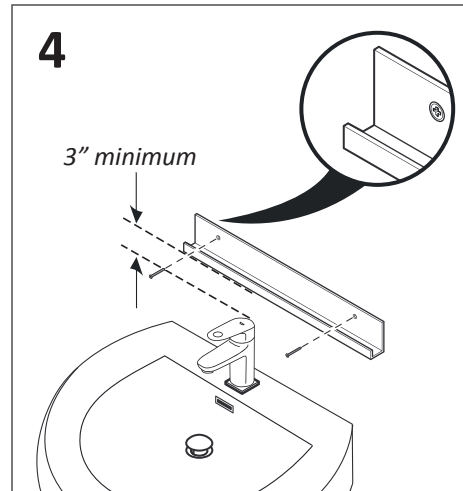
SURFACE MOUNT INSTALLATION



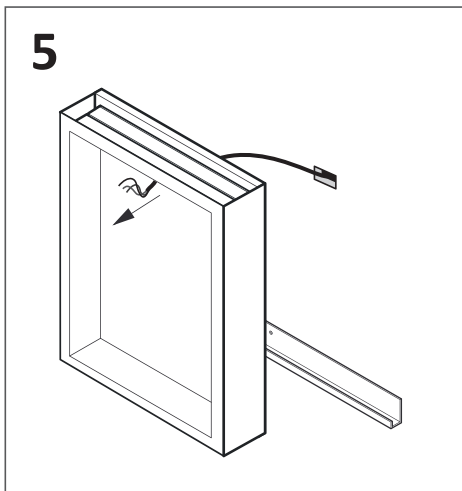
SURFACE MOUNT INSTALLATION CONTINUED



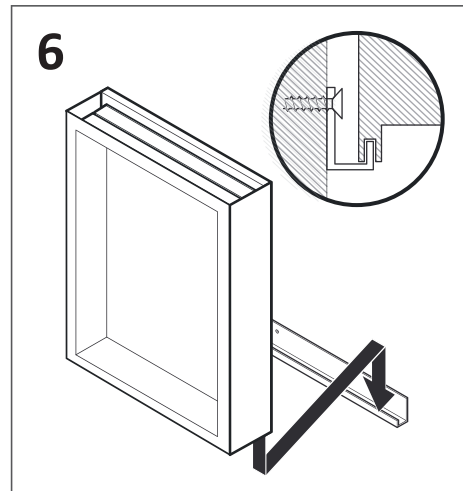
Level and mark the cabinet's location on the wall



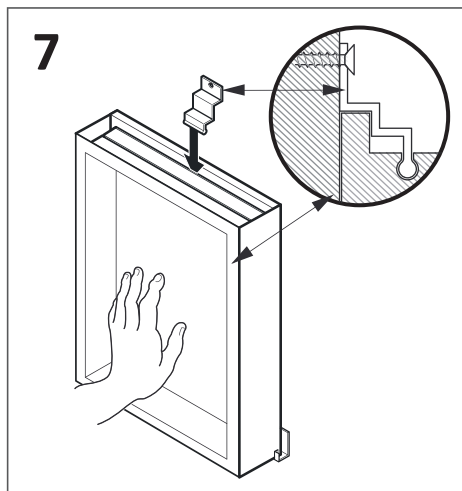
Attach bottom bracket to wall



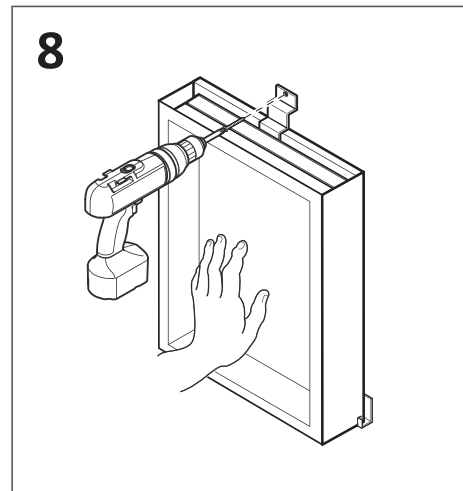
Pull through the electrical wires



With assistance rest the cabinet on the bottom mounting bracket and hold in place

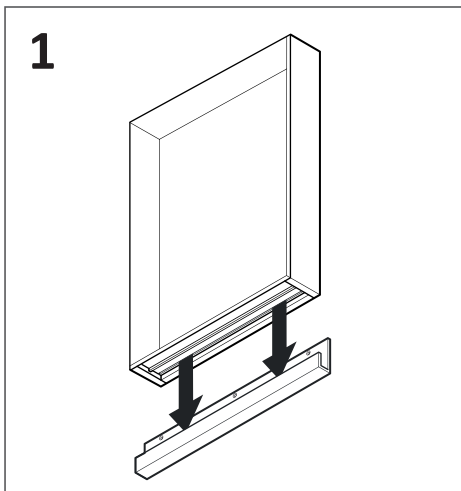


Insert top mounting bracket into the top of the cabinet

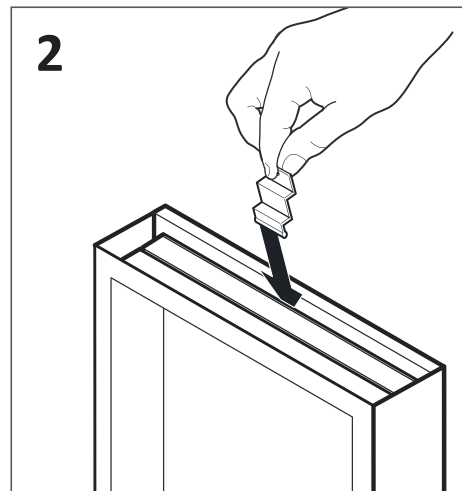


Attach the top mounting bracket to the wall using a screw gun

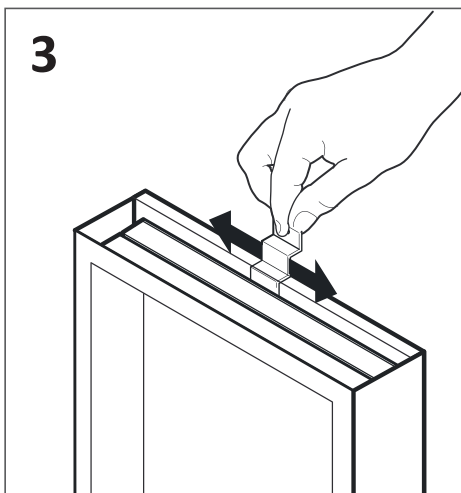
MOUNTING BRACKETS (FOR SURFACE MOUNT INSTALLATION)



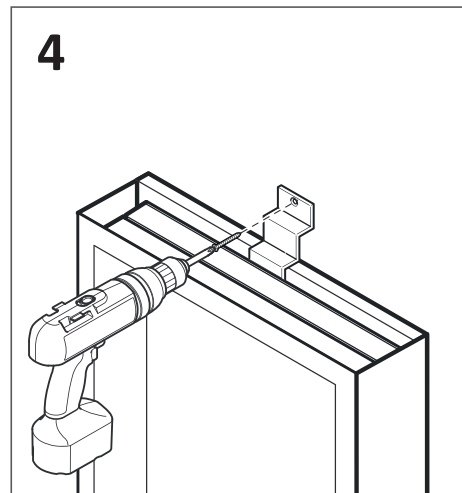
Rest the cabinet on top of the bracket



Slide top bracket into the channel at the top of the cabinet



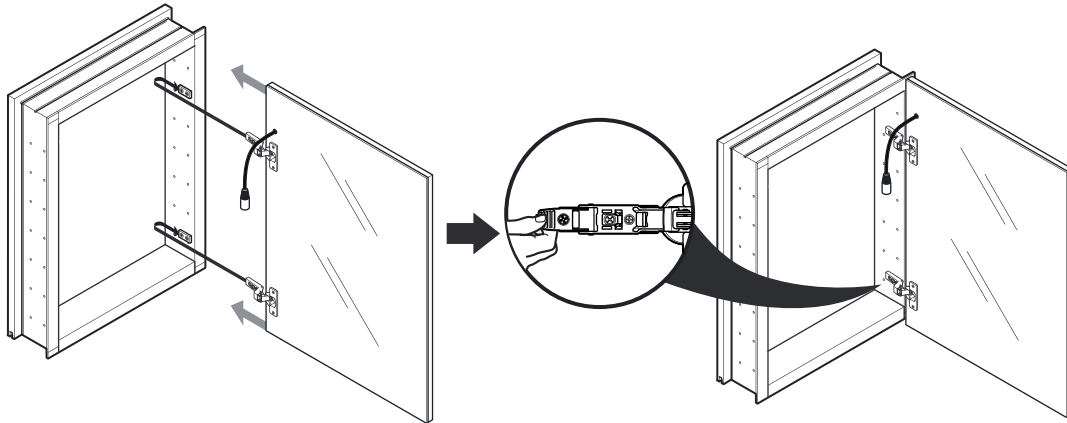
Make sure top bracket is locked in the groove



Secure the top bracket to the wall using screw gun

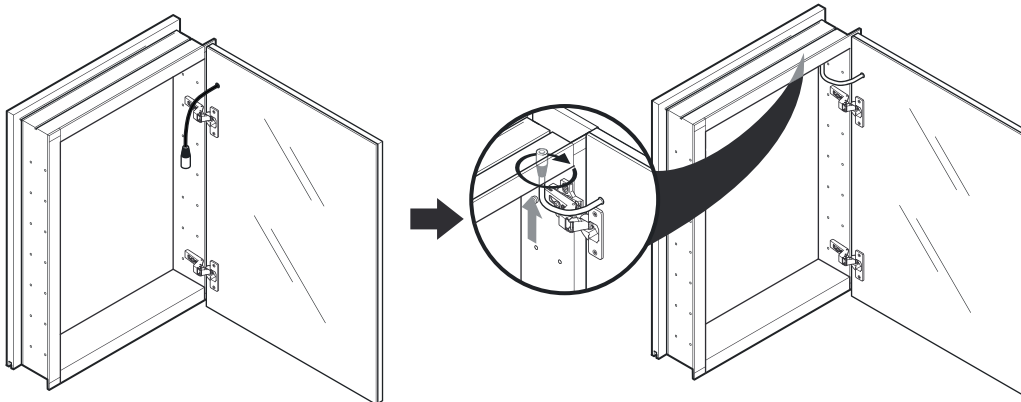
FINAL ASSEMBLY (BOTH)

1



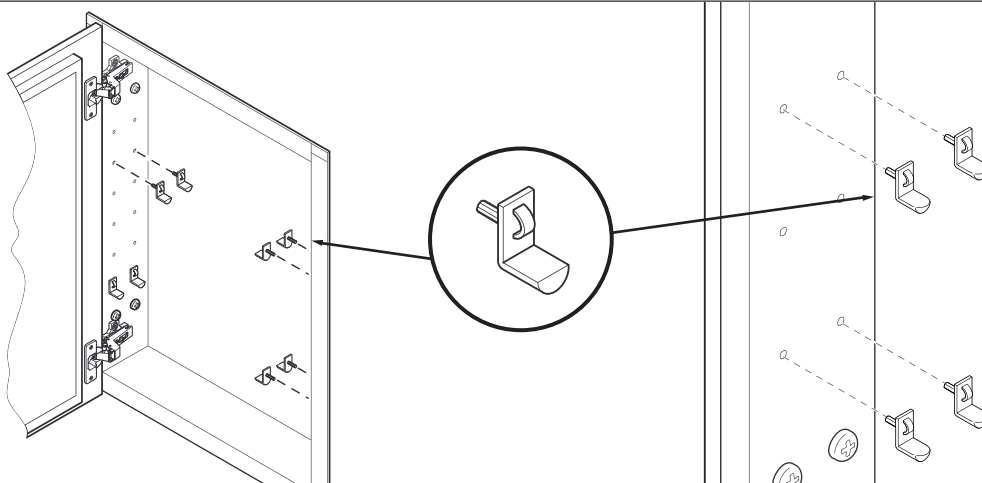
Slide the doors into place by pinching the end of the hinge

2



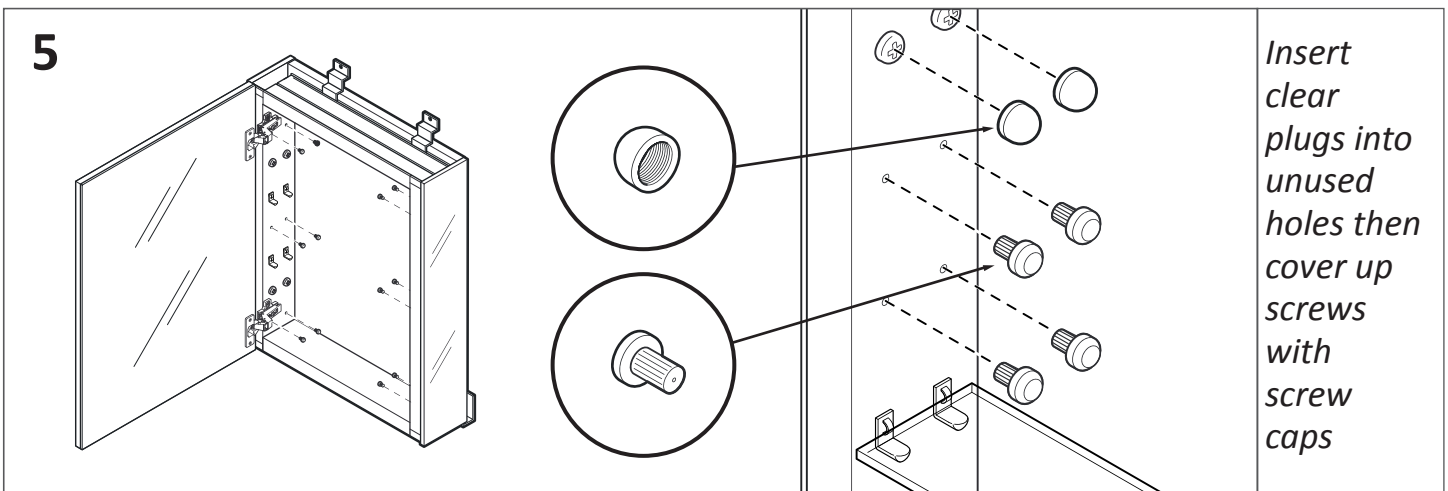
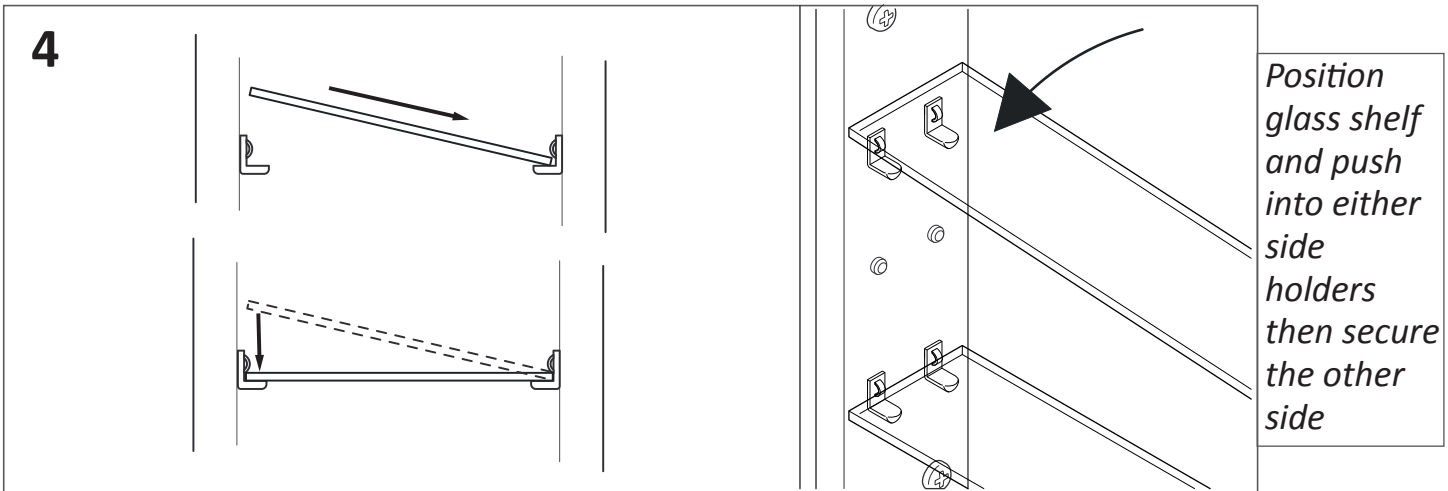
Plug the door into the cabinet

3

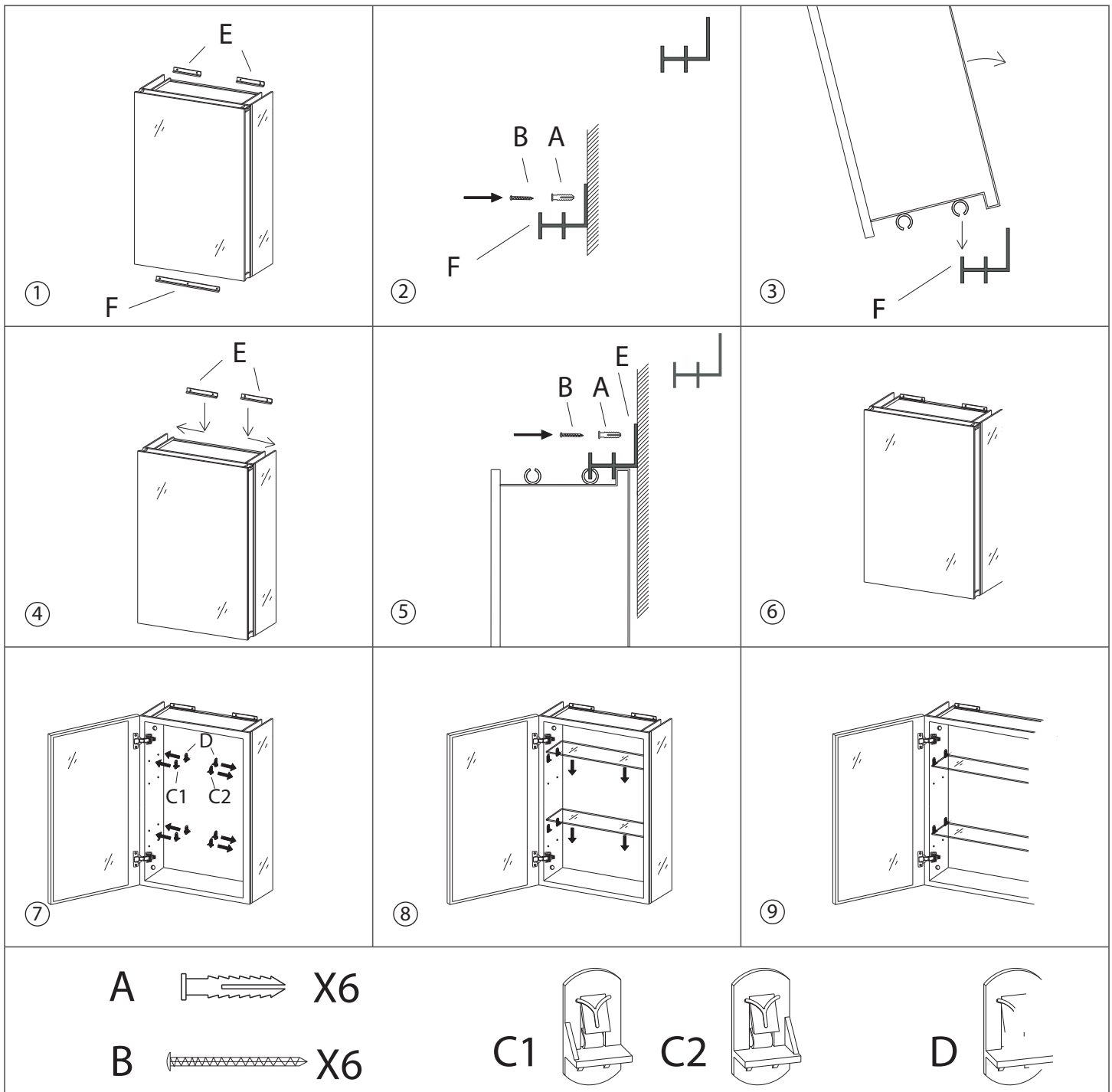


Use snap-in holders into predrilled holes on the side of the cabinet

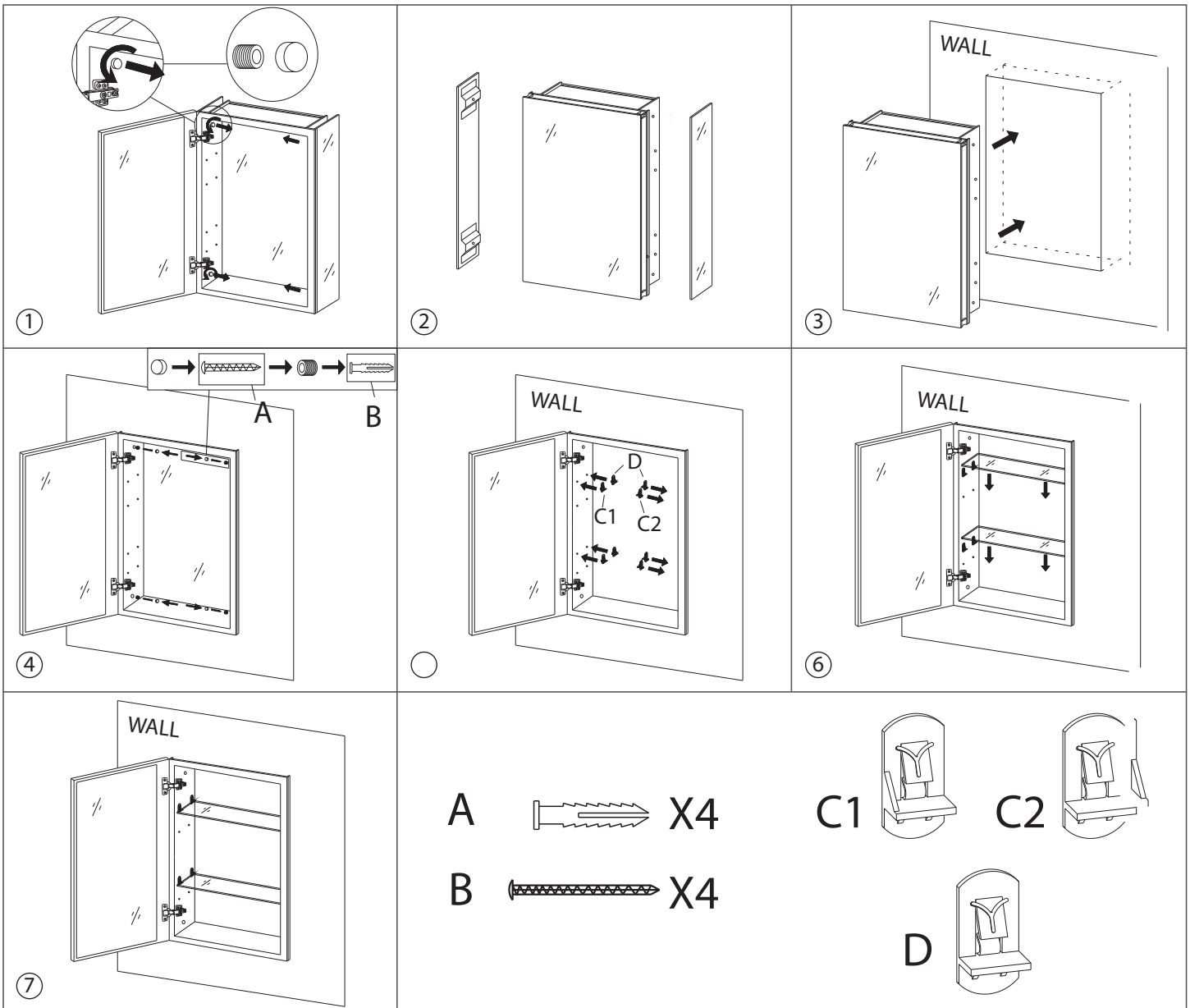
FINAL ASSEMBLY CONTINUED

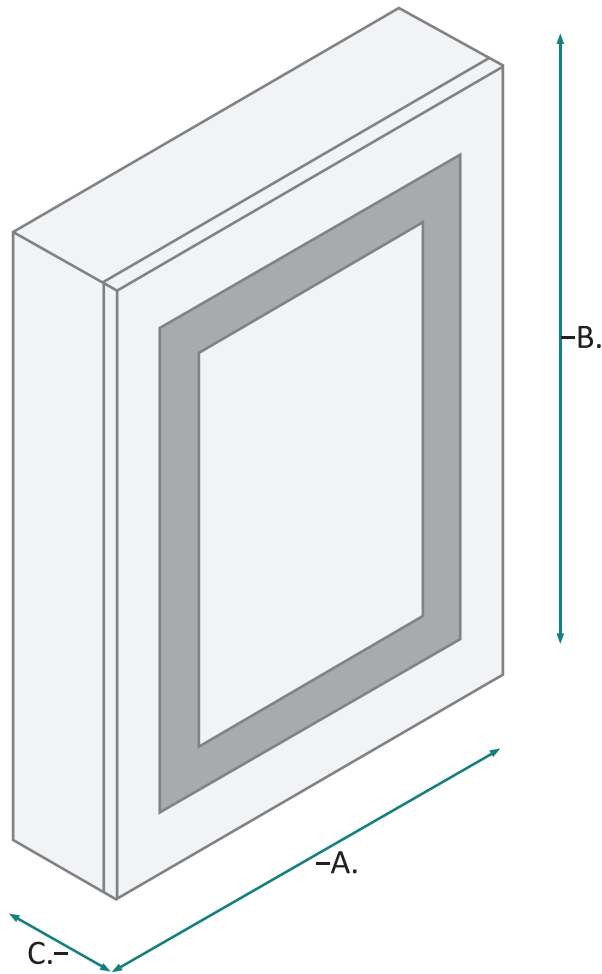


INSTALLATION INSTRUCTIONS (SURFACE MOUNTED):



INSTALLATION INSTRUCTIONS (RECESSED MOUNTED):

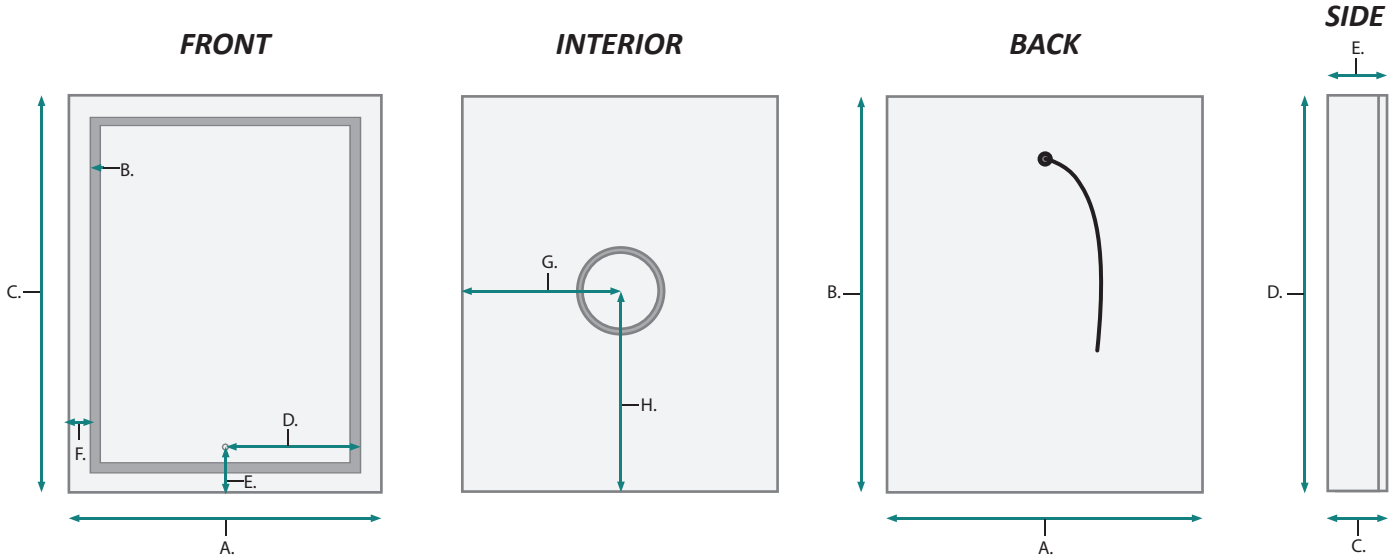




- A - Cabinet's Width
- B - Cabinet's Heights
- C - Cabinet's Depth

MODELS	A	B	C
SVANGE 2430	24	30	4-3/4

Note: All dimensions & specifications are approximate and subject to change without notice.



FRONT & INSIDE

MODELS	A	B	C	D	E	F	G	H
SVANGE 2430	24	1-1/4	30	7-1/2	6-1/4	2-1/2	11	14

BACK & SIDE

MODELS	A	B	C	D	E	ELECTRIC CURRENT	WATTAGES
SVANGE 2430	23	29-1/2	4-3/4	30	3-1/2	0.38A	45W

USE AND MAINTENENCE

The interior is constructed of mirrored glass and aluminium. Use only a damp cloth to clean. Ammonia or vinegar-based cleaners can damage mirrors.

When cleaning, spray the cloth, not the mirror, or surrounding surfaces. Do not use abrasive cleansers on any part of the light fixture.

LIMITED LIFETIME WARRANTY

Subject to the terms and conditions specified herein, Krugg Reflections USA LLC, ("KRUGG") hereby extends a limited lifetime warranty (this "Limited Warranty") to original Purchasers (as defined below) of the Krugg LED Medicine Cabinet (the "Product") with respect to certain specified components of the Product. Specifically, KRUGG, by this Limited Warranty, warrants that, for the durations specified herein, Products purchased directly from KRUGG or KRUGG's authorized retailers will be free of defects in the material and workmanship of the Product's electrical components, glass, mirrors, and certain mechanical components, which defects would cause the Product to substantially fail to function when subject to normal use.

ONE-YEAR LIMITED COMMERCIAL WARRANTY

Subject to the terms and conditions specified herein, Krugg Reflections USA LLC, ("KRUGG") hereby extends a limited one-year warranty (this "Limited Warranty") to Commercial Purchasers (as defined below) of the Krugg LED Medicine Cabinet (the "Product") with respect to certain specified structural components of the Product. Specifically, KRUGG, by this Limited Warranty, warrants that, for a one-year period, Products purchased directly from KRUGG or KRUGG's authorized retailers will be free of defects in the material and workmanship of the Product's electrical components, glass, mirrors, and certain mechanical components, which defects would cause the Product to substantially fail to function when subject to normal use.

Additional Warranty Information can be found at <http://www.kruggusa.com>
For any installation and warranty related issue, contact us at info@kruggusa.com