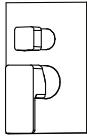
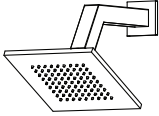


196.3200 | Two Output Shower W/ Shower Head & Tub Spout



COMPONENTS

- HS1020 - 7" Shower Arm
- HSB.6S - 6" Shower Head
- 196.2100T - Shower Trim
- PBV.1005A - Shower Valve
- 196.2300 - Tub Spout

SHOWER VALVE:

- Pressure balance shower valve
- Valve includes service stops
- Lift bottom handle to control volume
- Turn left for hot, right for cold.
- Top handle controls water diversion
- 1/2" NPT

SHOWER HEAD:

- Single function
- Solid brass construction
- 1.8 GPM flow rate

TUB SPOUT:

- Solid Brass construction
- 1/2" male NPT connection

STANDARDS:

- ASME A112.18.1 / CSA B125.1

See individual component specification sheets on following pages for further details.



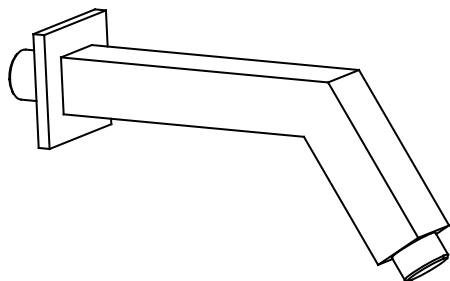
HS1020 | Square Shower Arm

SPECIFICATIONS:

- Solid Brass Shower Arm
- With Sliding Flange

FAST SHIP FINISHES :

- Chrome - HS1020CP / Brushed Nickel - HS1020BN



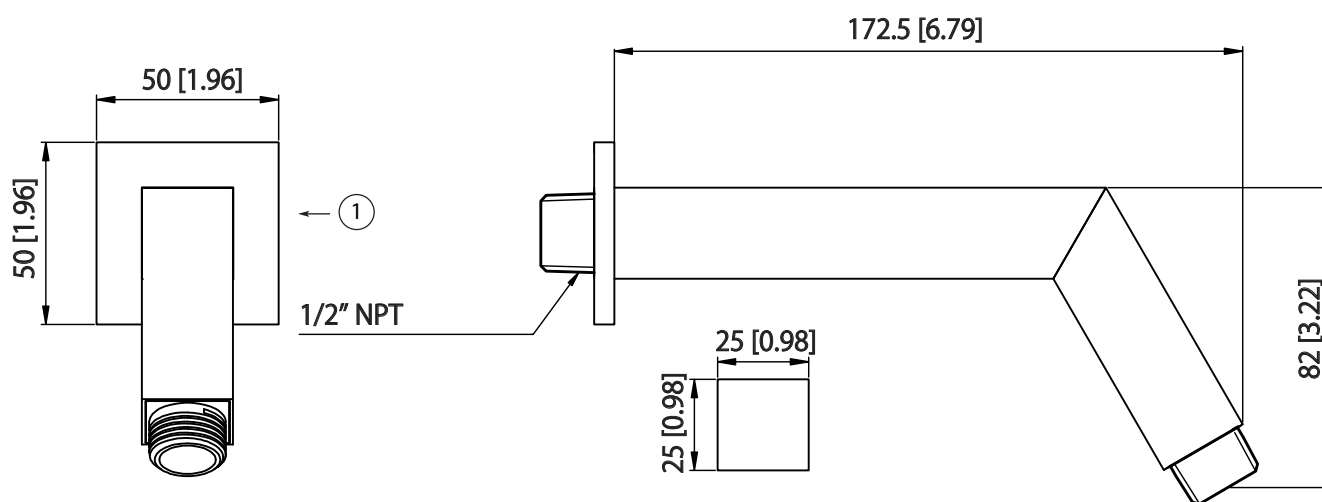
Legislation Compliance



ZeroDrip Technology



Technical Diagram



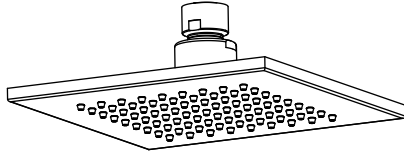
Part Number Guide:

- ① Flange - HS1020-1253CP - Chrome
HS1020-1253BN - Brushed Nickel

HSB.6S | 6" Brass Shower Head

SPECIFICATIONS:

- Solid Brass Shower Head
- Scrub rubber nozzles to easily clean water sediment
- 1.8 GPM Flow Rate
- 81 Nozzles
- Use with HS1020 Shower Arm



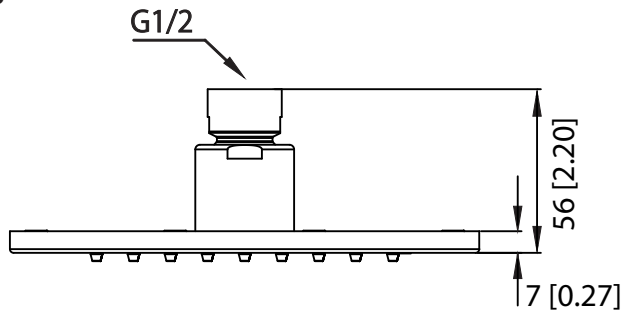
Legislation Compliance



ZeroDrip Technology

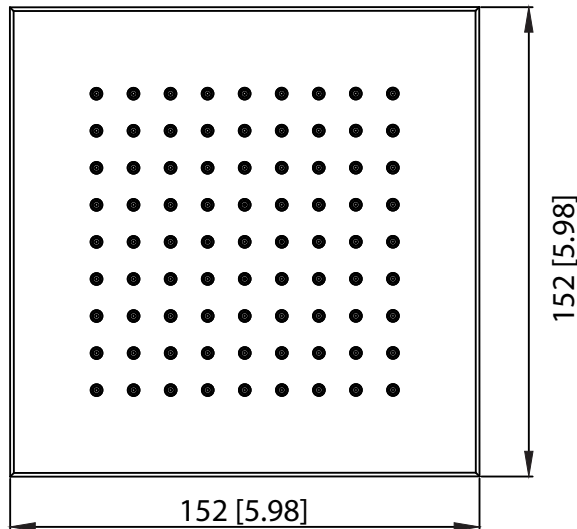
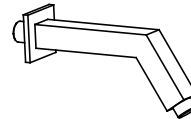


Technical Diagram



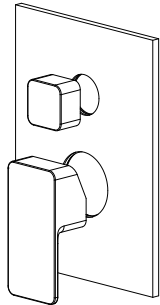
MATCHING SHOWER ARMS:

- 1) HS1020

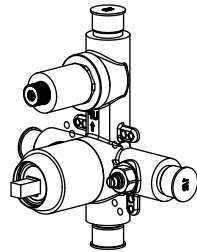




196.2100 | Tub / Shower Trim Set With Pressure Balance Valve & 2-Way Diverter with Integrated Volume Control



+



Trim
[196.2100T**]

Valve
[PBV1005A**]

** Denotes Finish (CP, BN, etc.)

SPECIFICATIONS:

- Includes Pressure balance valve (PBV1005A**) w/ service stops
- Lift Handle to control volume. Turn left for hot, right for cold.
- Small knob controls 2-way water diversion
- Pressure Balance Valve Flow Rate - 5.5 GPM @ 60 PSI
- Extension Available - PBV.2100E**

FAST SHIP FINISHES:

- Chrome - 196.2100CP / Brushed Nickel - 196.2100BN

Legislation Compliance

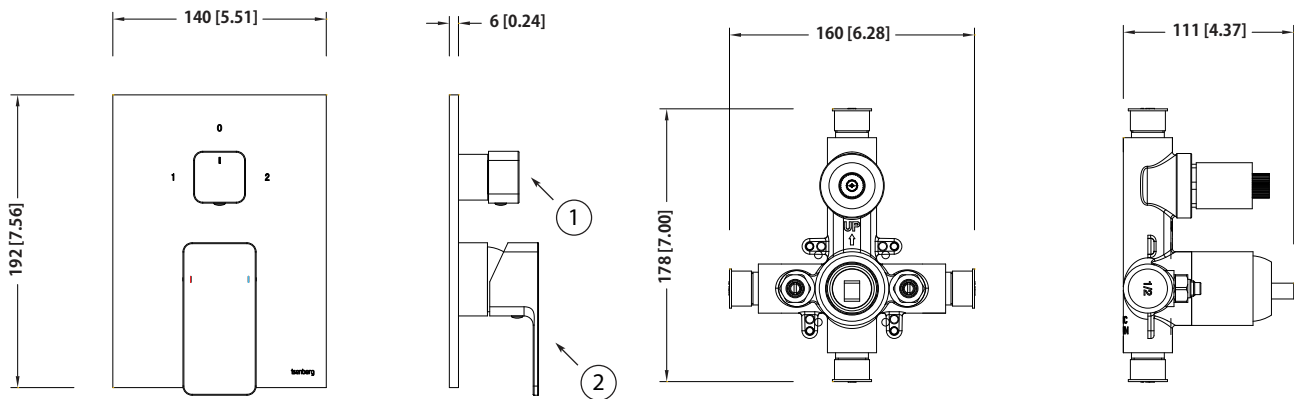


ZeroDrip Technology

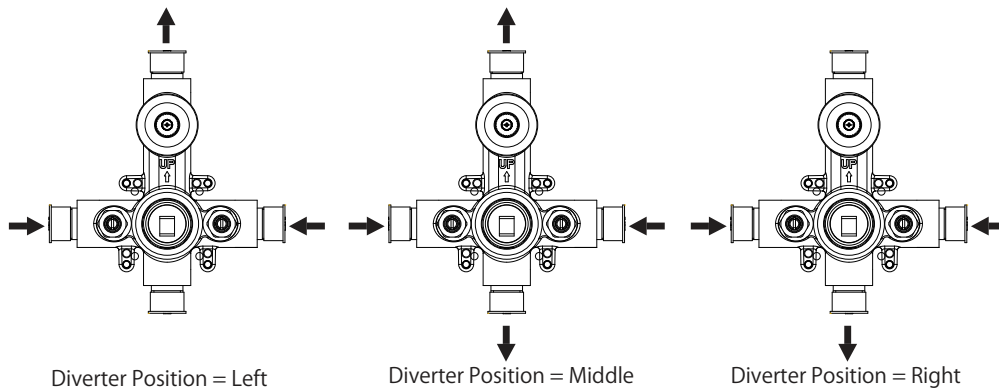


See Spec Sheet For
PBV1005A For Detailed
Information On Valve.

Technical Diagram



Water Diversion Diagram





PBV1005A | Pressure Balance Valve With Integrated 2-Way Diverter Page 1 of 2

SPECIFICATIONS:

- Lift Handle to control volume. Turn left for hot, right for cold.
- Knob controls 2-way water diversion - shared output.
- Pressure Balance Valve Flow Rate - 5.5 GPM @ 60 PSI

FAST SHIP FINISHES :

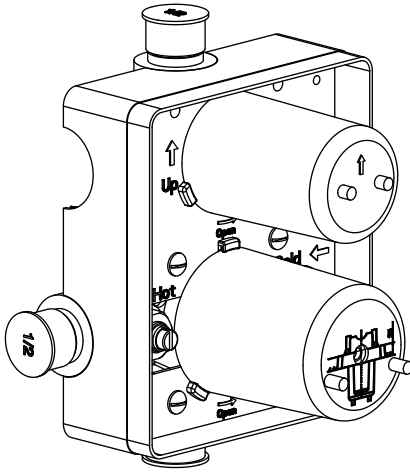
- Chrome - PBV1005ACP / Brushed Nickel - PBV1005ABN /

STANDARDS:

- ASME A112.18.1 / CSA B125.1

WARRANTY:

- Limited lifetime warranty to the original consumer purchaser against finish and workmanship

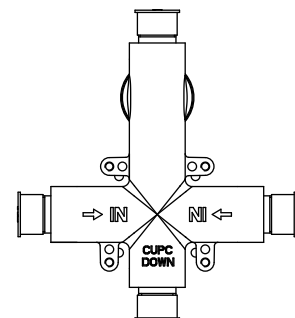
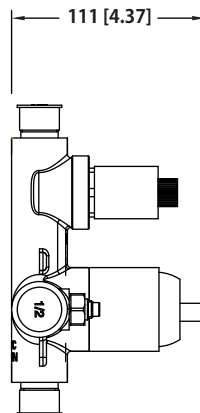
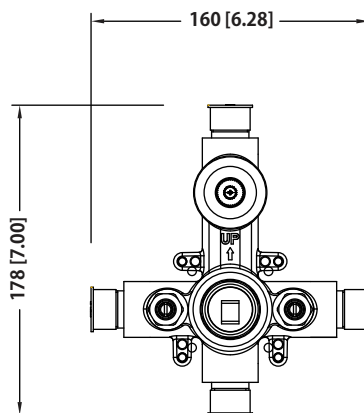
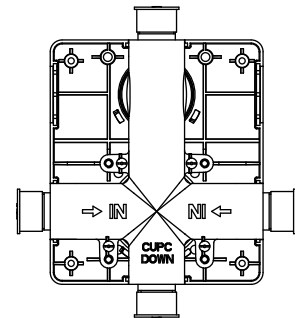
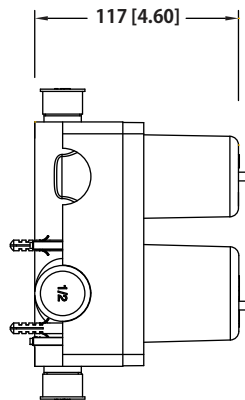
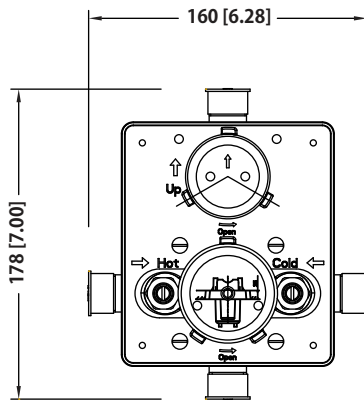


Legislation Compliance

ZeroDrip Technology



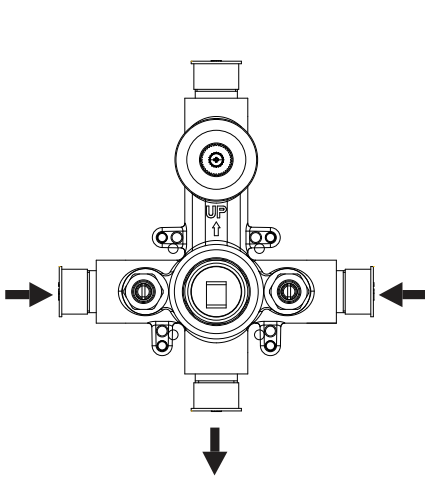
Technical Diagram



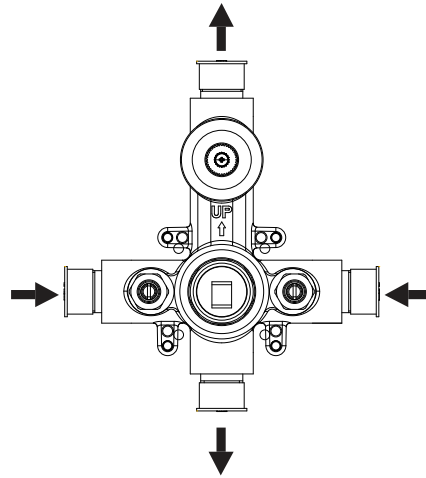
PBV1005A | Pressure Balance Valve With Integrated 2-Way Diverter Page 2 of 2



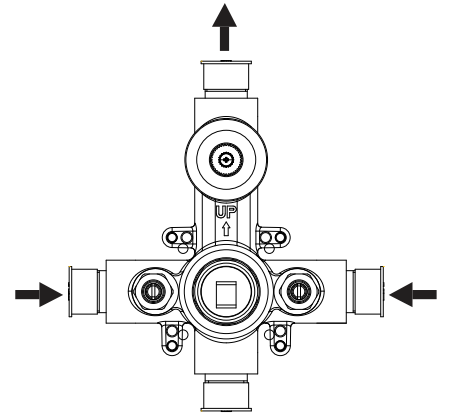
Water Diversion Diagram



Diverter Position = Left

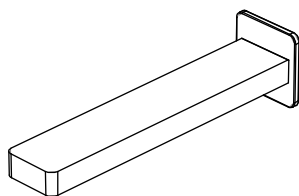


Diverter Position = Middle
Shared Flow is Low Transition Flow



Diverter Position = Right

196.2300 | Tub Spout / Filler



SPECIFICATIONS:

- Solid Brass Construction
- 1/2" Male Connection

FAST SHIP FINISHES :

- Chrome - 196.2300CP / Brushed Nickel - 196.2300BN

STANDARDS:

- ASME A112.18.1 / CSA B125.1

** Denotes Finish (CP Or BN)

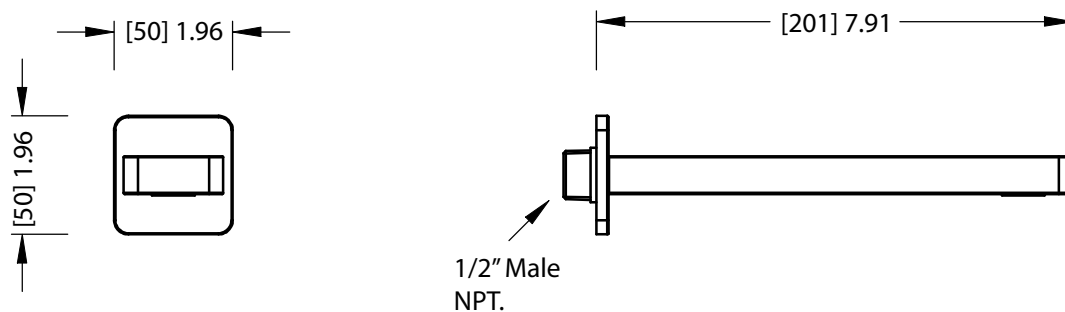
Legislation Compliance



ZeroDrip Technology



Technical Diagram



Male / Female extension
available in 1" Increments.