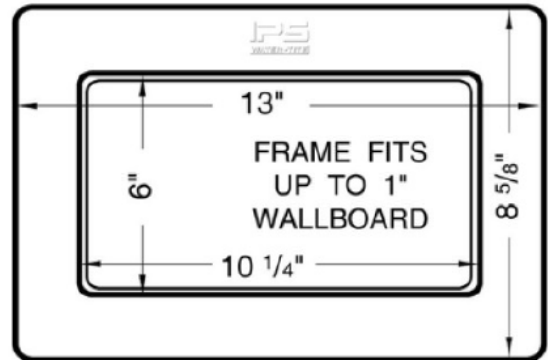
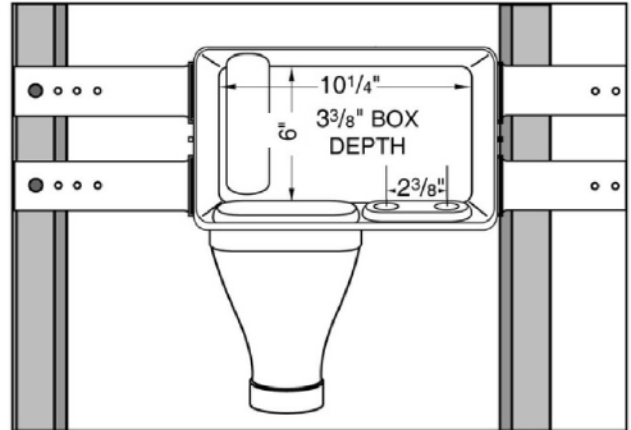
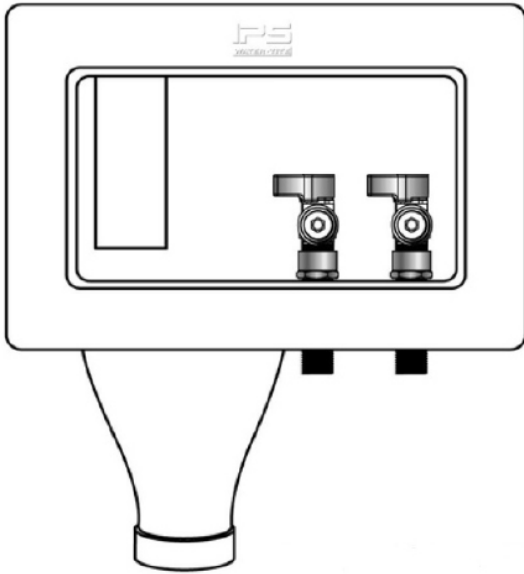


SPECIFICATION SUBMITTAL SHEET



LEFT HAND WIDE MOUTH MWOB
With Quarter Turn Valves



Specifications:

Furnish and install Wide Mouth Washing Machine Outlet Box with left hand drain option. Unit shall be Water-Tite product code checked below, as manufactured by IPS Corporation. Valves comply with ASME A112.18.1.

Product Code	Product Description	Model Number	Case/Qty	UPC
87367	Wide Mouth WMOB w/Sweat Qtr. Turn Valves installed	W8900LD	10	012181-873670
87371	Wide Mouth WMOB w/CPVC Qtr. Turn Valves installed	W8901LD	10	012181-873717
87374	Wide Mouth WMOB w/Pex Qtr. Turn Valves installed	W8902LD	10	012181-873748
87380	Wide Mouth WMOB w/ Wirsbo™ Qtr. Turn Valves installed	W8911LD	10	012181-873809
Contractor Pack				
87373	Wide Mouth MWOB w/CPVC Qtr. Turn Valves installed	W8901LDCP	10	012181-873731

